



**Purchasing Division**

***TENDER #3688  
PAVING – VARIOUS SCHOOLS***

***Addendum #1***

**July 21, 2014  
11:00 A.M.**

To: Bidders

From: Deborah Beck  
Buyer

Pages: 1 \_\_\_\_\_ phone: 464-2000 (ext. 2011)

**The bid documents shall be amended and new drawings and clauses added, and shall become part of the contract documents as follows:**

**Clarifications:**

- 1. Bidders are advised that in an effort to expedite the eventual construction work at the various school sites HRSB is engaging a specialist consultant to undertake a general Underground Services Location Survey. The parking lots will be assessed for overhead wires, location of poles, fire hydrants, catch basins, cable, telephone and other services, and a scan for underground pipes. It is anticipated that the survey will be completed before the eventual successful Contractor(s) mobilizes to the school sites. The results of the survey will be provided to the Contractor(s).**

**END OF ADDENDUM #1**

---

---

PLEASE SIGN BELOW AND RETURN WITH BID DOCUMENTS:

\_\_\_\_\_  
Signature

\_\_\_\_\_  
Company Name

**CC: Nova Scotia Construction Association**

**Fax # 468-2470**



Halifax Regional  
School Board

# TENDER #3688

## PAVING - VARIOUS SCHOOLS

Closing Date: **WEDNESDAY, JULY 30, 2014**

Closing Time: **2:00:00 P.M.**

Opening Time: **2:00:00 P.M.**

**Closing Location:**

Halifax Regional School Board  
33 Spectacle Lake Drive  
Dartmouth, N.S.  
B3B 1X7

**HRSB Contacts:**

Deborah Beck, Buyer  
Tel: (902) 464-2000 #2011  
Fax: (902) 464-0161

**Project Locations:**

1. Prospect Elem – 2199 Prospect Rd HACHET LAKE
2. Elizabeth Sutherland – 66 Rockingstone Rd HFX
3. Grosvenor Wentworth – 4 Downing St HFX
4. J L Ilsley – 38 Sylvia Ave HFX
5. A J Smeltzer – 46 Prince St LOWER SACKVILLE
6. Harry R Hamilton- 40 Hamilton Dr LOWER SACKVILLE

Chris Northrup, Special Projects Manager

Tel: (902) 464-2000 #5116

Fax: (902) 464-5581

**A MANDATORY BIDDERS' SITE MEETING WILL NOT BE HELD, HOWEVER, DO NOT SCALE DRAWINGS – DRAWINGS ARE CONCEPT ONLY. CONTRACTORS TO SITE VERIFY ALL DIMENSIONS AND QUANTITIES.**

To obtain SPECIFICATIONS/DRAWINGS **DOWNLOAD FROM HRSB WEBSITE:**  
<http://www.hrsb.ns.ca/tools/tenders/listing.aspx> .

*The Halifax Regional School Board encourages equity and affirmative action programs.*

# Table of Content

	<b>Page</b>
1.0 Instructions to Bidders .....	3
1.1 Conditions of Tender .....	4
1.2 Other Requirements .....	7
1.5 The Contract .....	11
2.0 Scope of Work .....	13
3.0 Contractor’s Information Sheet .....	23
3.3 Sub-Contractor List .....	24
3.5 Schedule of Prices .....	26
3.7 Proposed Fixed Price .....	27

## **SAMPLE CONTRACT (DO NOT RETURN SAMPLE CONTRACT WITH BID DOCUMENTS)**

Schedule “A” Sample Agreement for Supply of Services .....	29
Appendix “A” Terms and Conditions .....	31
Appendix “B” Insurance and Risk .....	42
Appendix “C” Description of Service .....	48
Appendix “D” Undertaking to Comply & Safety Checklist .....	51

## **SAFETY PLAN/CONTRACTOR’S CHECK LIST**

Appendix “E” Project Safety Plan Outline .....	55
Appendix “F” Contractor’s Check List .....	60

## **NOTICE**

Public tender openings are NO LONGER HELD for any tenders relating to goods, services or construction for HRSB. A list of bidders and bid amounts will be posted on the Procurement Services website (<http://novascotia.ca/tenders/tenders/ns-tenders.aspx>) shortly following the closing of the tender. All bid submissions are subject to evaluation after opening and before award of contract. The winning bidder and award amount will be posted on the Procurement Services website (<http://novascotia.ca/tenders/tenders/ns-tenders.aspx>) after evaluation.

1.0 **GENERAL**

The Halifax Regional School Board is seeking bids from qualified contractors for **PAVING - VARIOUS SCHOOLS** as per plans and specifications prepared by FBM Architecture.

1.1 **INSTRUCTIONS TO BIDDERS**

**TENDER  
SUBMISSION:**

- (a) Sealed Bids will be received by:

Halifax Regional School Board  
33 Spectacle Lake Drive  
Dartmouth, N.S.  
B3B 1X7

Until **2:00:00 P.M., JULY 30, 2014**, (as verified by the phone clock on the Commissionaire's desk at 33 Spectacle Lake Drive) for the following projects:

***TENDER #3688 PAVING - VARIOUS SCHOOLS***

***Should the School Board Office be closed for any reason the tender closing will be postponed to the next business day.***

- (b) Submit one copy of the original tender on the enclosed tender form. Each item on the form must be completed unless noted otherwise. Bids must be signed by an authorized representative of the Suppliers/Contractors. Incomplete bids will be rejected. Bids must be submitted on or before the advertised time and date in a sealed envelope clearly marked:

***TENDER #3688 PAVING - VARIOUS SCHOOLS***

- (c) It is the responsibility of the bidder to ensure their submissions are received on time. Faxed bids will not be accepted.
- (d) Addenda must be issued by the Board no less than three (3) business days before tender closing. Addenda cover letters shall be signed and attached to the tender documents.

1.2 **CONDITIONS OF TENDER**

- (a) No term or condition shall be implied, based upon any industry or trade practice or custom or in a practice or policy of the Board or otherwise, which is inconsistent or conflicts with the provisions contained in these instructions.
- (b) Any changes to this tender or specifications shall be stated by the Board in writing. All correspondence, inquiries, instructions, etc. in connection with the work shall be made through the office of the Halifax Regional School Board, c/o Manager of Accounting & Purchasing or representative.
- (c) Tender price must include freight, duty, and all taxes, rates and charges, which are applicable at the time the contract is awarded. It is the responsibility of the bidder to find out from the appropriate authorities what taxes, rates and charges are applicable to this tender.
- (d) The Contractor is responsible for obtaining all provincial, municipal and other permits as required for the work, and shall adhere to all regulations from regulatory bodies, including the National Building Code, 2005. They shall pay all fees for these permits. Sub-trades are responsible for obtaining permits and following regulations as they affect their work.
- (e) Invoices shall be submitted to: Halifax Regional School Board  
c/o Operations Services Coordinator-Maintenance  
33 Spectacle Lake Drive,  
Dartmouth, NS B3B 1X7

Contact information to be supplied to the successful bidder as part of the award confirmation.

Payment: Payment terms will be considered as Net 30 days from date of invoice.

- (f) Bidders or their employees must not be employees of the Halifax Regional School Board.
- (g) The bidder must comply with Nova Scotia Fire Safety Act and all Municipal Regulations, Ordinances and other laws including the Occupational Health and Safety Act.
- (h) Persons or firms submitting tenders shall be actually engaged in the line of work required by the specifications.
- (i) When applicable, a bidder shall list, in the space provided in Section 3.3, the names of the sub-contractors they propose to use with each sub-contractor's tender price. A change in sub-contractors from this list will require permission in writing from the Board.
- (j) Except as the specifications may be modified by Addenda, the successful

contractor will be held to furnish under this tender all work as specified.

- (k) The contractor shall save, defend, and indemnify the Halifax Regional School Board against all costs which the School Board may sustain or incur by reason of any act or omission of the contractor or its' agents or sub-contractors.
- (l) Property loss and/or damage that occurs during the course of work or caused by negligence on the contractors part during the course of the work shall be reported by HRSB Operations Services to the School Insurance Program (SIP) office. Adjusters may be assigned to manage restoration of damaged, defaced or stolen HRSB property. HRSB and/or its insurer reserve the right to assign management of restoration to the adjuster. The contractor shall be responsible for all costs to repair or replace any School Board property, which has been damaged, defaced or stolen during the course of work.
- (m) The term of the contract will be from date of award until *AUGUST 29<sup>TH</sup>, 2014*.
- (n) Where the Tender Documents stipulate a particular product, written requests for substitutes will be considered by the Board up to five (5) business days prior to the tender closing date. Such requests shall be accompanied by complete descriptive and technical information including MSDS so that a proper evaluation can be made.

When a request for approval of a product is made, the Board may grant approval and will attempt to issue an Addendum to this effect to known bidders. However, HRSB assumes no liability for the delivery of electronic transmissions.

All products used in the course of this work are to be used, stored, and maintained as per the instructions written on the MSDS sheet.

- (o) Time and Material costs must be provided as listed in Section 3.6
- (p) **Unique Logistics**  
Completely describe how your Tender will respond to the unique logistics of each school or administrative site as set out in the Project Scope and fully describe, in the same manner, all items of equipment, service, and support you will provide to respond to those logistics and all pricing and other matters relating to them.
- (q) **HRSB Discretion**  
The Bidder hereby acknowledges that:
  - a) HRSB shall have the right to reject any or all Tenders for any reason, or to accept any tender which HRSB in its sole, unrestricted discretion deems most advantageous to it. The lowest, or any, Tender will not necessarily be accepted and HRSB shall have the unrestricted right to:
    - i) accept any Tender, and in the event it only receives informal, non-conforming or qualified Tenders with respect to this Tender, accept any such Tender; or

- ii) Accept a Tender that is not the lowest price;
  - iii) Reject a Tender that is the lowest price even if it is the only tender received;
  - iv) Reject any Tender that contains any irregularities, informalities, conditions or qualifications;
  - v) Reject any Tender that is not accompanied by the required tender security documents;
  - vi) Reject any Tender that is not properly signed by or on behalf of the Bidder;
  - vii) Reject any Tender that contains an alteration in a quote that is not initialed by or on behalf of the Bidder;
  - viii) Reject any Tender that is incomplete or ambiguous; or
  - ix) Reject any Tender that does not strictly comply with other requirements contained in these instructions.
- b) HRSB reserves the right to consider, during the evaluation of Tenders:
- i) Information provided in the Tender itself;
  - ii) Information received in response to enquiries of credit and industry references set out in the Tender;
  - iii) The manner in which the Bidder provides services to others;
  - iv) The experience and qualification of the Bidder;
  - v) The compliance of the Bidder to HRSB's requirements and specifications;
  - vi) Such alternate goods, services, terms or conditions that may be offered, whether such offer is contained in a Tender or otherwise,
  - vii) Splitting the Tender and Project Scope into multiple parts and accepting Tenders (or portions thereof) from more than one Bidder;
  - viii) Rejecting Bidder's recommendation of a Subcontractor or any other third party associated with the Tender and jointly along with the Bidder, determine alternate acceptable third parties; and
  - ix) Any other consideration in HRSB's discretion;
- c) HRSB may rely upon the criteria it deems relevant, even if such criteria has not been disclosed to Bidder. By submitting a Tender, the Bidder acknowledges the HRSB's rights under this Section and absolutely waives any right or cause of action against HRSB and its employees, agents or Trustees by reason of HRSB's failure to accept the Tender submitted by the Bidder, whether such right or cause of action arises in contract, tort including negligence or otherwise; and
- d) HRSB shall not at any time have any obligation to deal exclusively with the Bidder. HRSB expressly reserves its rights, in its sole discretion, to seek a Tender regarding the subject matter hereof, from any person whomsoever

and at any time.

(r) **Limitation of Liability**

Bidder, by submitting a bid to this Tender, agrees that it will not claim damages, costs or expenses for whatever reason, relating in any way to this Tender and any resulting process (including without limitation any subsequent discussions or negotiations, if any, or in respect of any competitive process) and waives any and all claims against HRSB whatsoever, whether for costs, damages or expenses incurred by Bidder in preparing its Tender, in participating in this tender process (including without limitation any subsequent discussion or negotiation, if any), loss of anticipated profit or any other matter whatsoever related to this tender and any resulting process, discussions or negotiations.

(s) **Construction Contract Guidelines**

The Halifax Regional School Board acknowledges and complies with the **Nova Scotia Transportation and Public Works Construction Contract Guidelines.**

1.3 **OTHER REQUIREMENTS**

- (a) The bidder must provide with the submitted tender document a certificate indicating the completion of the Nova Scotia Construction Safety Association's Construction Safety Program or other WCB approved safety audit company that jointly sign the Certificate of Recognition with the WCB.
- (b) The bidder must provide with the submitted tender document a letter showing they are in good standing with the Worker's Compensation Board.
- (c) The bidder must provide with the submitted tender document a tentative schedule indicating timelines for completion of works. **Upon award of work, the successful bidder shall provide within three (3) business days a schedule clearly indicating timelines for completion of all aspects of the project. Shop drawings/samples must be returned to HRSB for Consultant's review within five (5) days upon award.**
- (d) The bidder must provide with the submitted tender document, an insurance certificate showing proof of:
- (i) Commercial General Liability insurance, including but not limited to, products liability and completed operations, contractual liability, owners and contractors liability, attached machinery extensions, endorsement, independent contractor, for a combined single limit of no less than \$2,000,000 per occurrence; Builder's Risk Insurance in the amount of the Contract Price.
  - (ii) Commercial Auto Liability insurance covering all owned, non-owned and hired vehicles for a minimum combined single limit of \$2,000,000 per occurrence; and
  - (iii) It is also agreed that the above insurance coverage is primary.

Upon award, the bidder shall secure and maintain the insurance as noted above at its expense during the term of the contract.

The Halifax Regional School Board must be named as additional named insurance



pertaining to the work for this project. Furthermore, Halifax Regional School Board must receive at least thirty (30) days notice of cancellation or modification of the above insurance. Bidders shall at all times keep in force insurance as may be required.

(e) **BID SECURITY**

The bidder **MUST** provide with the submitted tender document **Bid Security** in the amount of **ten percent (10%) of the Contract Price** (before HST) in the form of a Certified Cheque, Irrevocable Standby Letter of Credit or Bid Bond payable to, or naming the Halifax Regional School Board.

**BID BONDS *must be provided by a surety company licensed to issue surety bonds in the Province of Nova Scotia:***

- Provide bond on the standard CCDC Bid Bond Form, latest version, in the amount of not less than **ten percent (10%) of the Contract Price (before HST)**.
- Bid Bonds, submitted by the general contractor bidder, signed and sealed by the principal (Contractor) and Surety and shall be with an established Surety Company satisfactory to and approved by the Halifax Regional School Board.
- Where a Bid Bond is used as Bid Security, include the cost of providing the Bid Bond in the Tender Contract price.

Where **CERTIFIED CHEQUE or BANK DRAFT** is provided as bid security:

- Provide a certified cheque or bank draft, endorsed in the name of the Halifax Regional School Board, for a **sum not less than ten percent (10%) of the amount of the Contract Price (before HST)**.
- Where certified cheque or bank draft is used as Bid Security, include the cost in the Contract price.

Where the **IRREVOCABLE STANDBY LETTER OF CREDIT** is used as bid security:

- Provide an Irrevocable Standby Letter, endorsed in the name of the Halifax Regional School Board, for a sum not less than **ten percent (10%) of the Contract Price (before HST)**.
- The Irrevocable Standby Letter of Credit shall be issued by a certified financial institution subject to the Uniform Custom and Practices for Documentary Credit (1993 revision or latest revision) International Chamber of Commerce (Publication No. 500).
- Where Irrevocable Standby Letter of Credit is used as bid security, include the cost in the Tender Contract Price.

**RETURN OF BID SECURITY:**

- The bid security of the unsuccessful bidders will be returned to them after the contract has been signed, or previous to such time, at the discretion of the Halifax Regional School Board. The above shall apply provided a contract is awarded within sixty (60) days from the closing date of the bid. If no contract is awarded, all bid security will be returned.

(f) **CONTRACT SECURITY (ONLY REQUIRED FOR BIDS OVER \$100,000)**

For bids over \$100,000 bidders must provide **Contract Security by a surety company licensed to issue surety bonds in the Province of Nova Scotia** in the form of one of the following:

- Letter of Surety.
- Performance Bond and a Labour and Material Payment Bond OR
- Certified Cheque or Bank Draft OR Irrevocable Letter of Credit bearing the bidder's original signature, payable to or naming the Halifax Regional School Board as insured.

Bidder shall maintain performance assurance in force for a period of not less than twelve (12) months after the issue of the substantial performance certificate certified by Halifax Regional School Board and until completion of the contract.

Should it become apparent that the final cost of the project will **exceed the total amount payable by more than 10%**, the bidder shall arrange to have their bonds reissued based on the projected final cost.

Where a **LETTER OF SURETY** was used as **CONTRACT SECURITY**:

- Within ten (10) days after notification of award of the Contract, provide a Performance Bond and a Labour & Material Payment Bonds each in an amount **equal to fifty percent (50%) of the Contract Price (before HST)**, naming the Halifax Regional School Board.
- Performance Bond and Labour and Material Payment Bonds, submitted by the bidders, shall be provided at the expense of the bidder and shall be with an established Surety Company satisfactory to and approved by the Halifax Regional School Board.
- Include the cost of providing the Performance Bond and Labour and Material bond in the Contract price.

Where a **CERTIFIED CHEQUE OR BANK DRAFT** is used as **CONTRACT SECURITY**:

- The Certified Cheque or Bank Draft submitted during the bid period will be cashed and the amount retained by the Halifax Regional School Board shall serve as Performance Assurance, including the payment of all obligations arising under the Contract.
- The Certified Cheque or Bank Draft will be held in lieu of the Performance Bond and Labour and Material Bonds, providing that, at Contract award, the successful Bidder shall supplement their Certified Cheque or Bank Draft to maintain an amount of **twenty (20%) of the Contract price** (before HST) under the contract.
- The amount remaining will be returned without interest after a period of not less than twelve (12) months after the issue of the substantial performance certificate

certified by the Halifax Regional School Board and shall serve as performance assurance until completion of the contract.

- Where certified cheque or bank draft is used as Performance Assurance, include the cost of providing the certified cheque in the Contract price.

Where **an IRREVOCABLE STANDBY LETTER OF CREDIT** is used as **CONTRACT SECURITY**:

- The Irrevocable Standby Letter of Credit for a sum not less than **ten percent (10%) of the Contract price (before HST)** submitted during the bid period will be retained by the Halifax Regional School Board and shall serve as performance assurance, including the payment of all obligations arising under the contract. The irrevocable standby letter of credit shall be issued by a certified financial institution subject to the Uniform Customs and Practices for Documentary Credit (1993 revision) International Chamber of Commerce (Publication No. 500).
  - Where irrevocable standby letter of credit is used as Performance Assurance, include the cost of providing and Irrevocable Standby Letter of Credit in the Contract Price. The contractor shall provide to the Halifax Regional School Board documentation throughout the duration of the contract that the irrevocable standby letter of credit remains in full effect at all times as specified.
  - Upon expiry of the Irrevocable Standby Letter of Credit, a separate Irrevocable Standby Letter of Credit shall be provided for work requiring extended warranties for such amounts as are required by the contract.
- (g) The bidder must provide with the submitted tender document a completed copy of Appendix “E” Safety Plan information sheet. The contractor prior to commencement of work must have a safety plan in place for use by the contractor personnel regarding potential hazards and work practices specific to the site.
- (h) ***HRSB is directly responsible for the safety of its students and staff. Should contractors be required to work in or on school property while children are present, it is a MANDATORY HRSB REQUIREMENT that contractors assign the work to employees and/or sub-contractors who DO NOT have a CRIMINAL RECORD and who ARE NOT LISTED ON THE CHILD ABUSE REGISTRY. By checking the “Agreed” box at the bottom of clause 3.4 below you are confirming that you understand and will abide by this mandatory HRSB requirement. Failure to comply with this requirement may result in immediate contract termination.***
- (i) Contractors must submit warranty information with the tender bid submission and successful bidders must submit all appropriate warranty documents with final payment invoice.
- (j) Bidders are advised that, as per the Halifax Regional School Board Tobacco Free Schools and Workplace Policy, the HRSB endorses and supports implementation of the Nova Scotia Smoke Free Places Act 2002, which prohibits tobacco possession for persons under the age of 19 and declares that no person shall smoke in schools, school board

offices or on school grounds.

#### **1.4 AMENDMENTS OR WITHDRAWAL OF TENDER PRIOR TO BID CLOSING**

- (a) Tender may be amended or withdrawn **by post or facsimile (902) 464-0161 PRIOR** to Tender Closing date and time.
- (b) Clearly indicate on the fax transmission or submitted envelope, whether your correspondence is an amendment or withdrawal and the title of the Tender. Sign and seal as required for tender, and submit at address listed under closing location on the cover of this document.

#### **1.5 THE CONTRACT**

##### **1.5.1 Binding Effect of Proposal and Contract Finalization**

The Bidder hereby acknowledges that its Tender constitutes a contract with HRSB, and the terms and conditions of this Tender and the bidder response (with the Tender taking precedence in the event of any inconsistency or conflict of terms) shall govern such agreement. Such contract shall remain binding upon Bidder until the earlier of:

- a) Written notice from HRSB that the Bidder's Tender is rejected as unsatisfactory; or
- b) Issuance by HRSB of its PO to the Bidder with respect to this Tender, pursuant to Section 1.2(p), and upon such issuance, the Bidder shall be regarded as the Contractor hereunder; or
- c) Execution of the Contract by both HRSB and the Bidder pursuant to Section 1.2(p); or
- d) Written notice from HRSB that it has entered a Contract with a Contractor and that the Bidder has been unsuccessful under this Tender.

##### **1.5.2 Contract Documents**

1.5.2.1 The attached form of contract (Schedule A) is a version that shall be issued to or executed by the successful bidder pursuant to the terms and conditions of this Tender. It is NOT TO BE executed and returned by the bidder as part of its (proposal or Tender response).

1.5.2.2 After the contract has been awarded and signed, the contractor will be contacted by the appropriate Regional Manager to attend a site visit to complete Appendix D of the contract – 'Undertaking to Comply and Contractors Safety Checklist' prior to the commencement of any work.

1.5.2.3 The Contract the Contractor will have with the HRSB, if awarded, will include:

- a) Such further documentation as may be negotiated and executed by the HRSB and the Contractor pursuant to Section 1.2(p); and

- b) This Tender and all of its Schedules, including without limitation any PO issued by HRSB to the Contractor, and any revisions, amendments or additional documents made thereto, if any; and
- c) The Tender, in its entirety and all promises made in the tender will be deemed covenants in the Contract and all information, representations and warranties made in the Tender will be deemed terms, representations and warranties of the Contract surviving the signing or issuance by HRSB of any additional or formal documents prepared by the HRSB.

1.5.2.4 For the purposes of evaluation and interpretation of Tenders, in the case of conflicts, discrepancies, errors or omissions between this Tender and any documentation issued or executed pursuant to Section 1.5.1, and the Tender, this Tender and such documentation shall take precedence over the Bidder response.

## **1.6 Your Contractual Terms**

- 1.6.1 List separately any contractual terms which must be included as part of the Contract if awarded to you and which would be a condition to HRSB's acceptance of your bid.
- 1.6.2 List separately any contractual terms which you would like the HRSB to consider but which would not be a condition to the acceptance by the HRSB of your bid and which would only be part of the Contract with the HRSB with the specific further agreement of the HRSB.

## **2.0 SCOPE OF WORK**

(a) Location:

The work shall include Paving Projects as various schools as listed on the Bid Form provided in this tender document, as per the specifications and drawings provided by FBM Architecture.

**NOTE: DO NOT SCALE DRAWINGS – DRAWINGS ARE CONCEPT ONLY. CONTRACTORS TO SITE VERIFY ALL DIMENSIONS AND QUANTITIES.**

(b) School/Work site access control: **Contractor's employees shall always report to the main office of a school, indicate who they are and state their purpose on site prior to starting any work in the school.** Contractor is not permitted to work on the school site without HRSB assigned representative on site unless authorized by HRSB Manager of Operations.

The outside work area shall be appropriately demarked and/or surrounded by a barrier to prevent unauthorized entry to the work area. All workers shall contain their activity to the work site area. The contractor shall only use the school staff designated washroom and lunchroom facilities. Access to the school shall only be allowed as planned in coordination with HRSB Operations and the school administration.

The contractor and sub-contractor employees shall maintain professional and courteous behaviour, including work and communications practices, at all times on the project site. Communications and work shall be conducted so as to minimize the effect on regular school occupants and their activities.

(c) Project/Safety Coordination: The contractor shall provide to HRSB within one week of award of contract a fixed schedule for all aspects of completion of work. The safety plan outline provided with this document must be posted on site during the execution of work and will be accessible to all workers on the site.

Where applicable, a **hot work permit** will be required to be completed prior to commencement of work and all conditions of the permit must be maintained until completion of hot work. A copy of the hot work permit signed by the contractor representative shall be provided to HRSB upon completion of each hot work session. Contractor must assign a designated fire watch as noted on the permit document who shall remain on site for three hours after completion of each hot work session.

The contractor will provide access to the work site and safety plan for inspection by HRSB Operations Services administration, HRSB health and safety Manager, consultants, regulatory inspectors as may occur throughout the duration of the project.

All necessary project coordination communications between project personnel and HRSB or site administration shall be from the project foreman/supervisor through the school principal and/or the Manager of Operations.

(d) Hours of work - All work shall be carried out during **regular working hours** unless otherwise indicated in writing by the Manager of Operations Services or a designate.

Hours of work shall comply with local ordinances and bylaws for each site.

- (e) **Site Material Control:** The contractor shall be responsible for storage of all materials required to complete the renovation. The school shall not be used for storage of materials unless otherwise approved by the principal and manager of Operations Services. Any requirement for modifications to the building in order to allow delivery and installation of the new equipment is the responsibility of the contractor.

The contractor is responsible for security of all project materials and access to the project site and/or the school through the project site at all times until completion of work and acceptance of the finished project by HRSB. Such additional security costs for security personnel or other means of security as deemed necessary by the contractor will be the sole responsibility of the contractor.

The contractor shall keep the work site free from accumulated debris caused by the employees or work and shall remove all debris at the end of each work shift. Debris shall not be deposited in HRSB controlled garbage and/or recycling containers.

All waste materials and debris created during demolition and/or construction shall be disposed of in a dumpster provided by the contractor, to be removed at the end of the construction project, using a methodology that is in compliance with the applicable HRM solid waste by laws. Otherwise, the material must be removed and disposed of off site at the end of each working day. The waste materials may not be stored on site unless they are held in an approved project dumpster.

All temporary structures such as portable washroom facilities, materials storage trailer, work trailer, debris dumpster, vehicles, etc., shall be located a minimum of (25) twenty-five feet from the school building.

- (f) 1 Contractor is advised that the building will be occupied when work on this project takes place. Contractor to verify all areas of construction are secured and air tight partitioned to ensure that the health and safety of the students and staff are maintained during the construction period.

**2 Temporary Construction Utilities & Closures:**

Contractor to erect and maintain 'dust-tight' barriers as noted. Prior to start-up, the 'dust-tight' separations must be in place as noted and reviewed by HRSB Project Manager and the Consultant. 'Dust-tight' enclosure will be reviewed during the course of construction. Contractor must maintain the current lighting levels, heating and ventilation standards in place.

**3 Interior Closures and Construction Areas:**

3.1 For interior/interior locations provide the following:

3.1.1 Gypsum board both sides to 9'-4", AFF.

3.1.2 3 5/8 metal stud at 16" o.c., extend every 4<sup>th</sup> stud to underside of OWSJ.

3.1.3 Provide 10ml poly from top of gypsum board to u/s deck, sealed at the top of the wall to underside of deck.

3.1.4 Provide negative pressure within the construction space exhausted to the exterior.

- 3.2 Tarps are not to be used in lieu of the described closures.
- 3.3 Construction Access & Storage:
  - 3.3.1 Proper access to the area and storage of materials to be provided by the owner.
  - 3.3.2 Location to be determined by Project Manager on site.
- 3.4 Provide and maintain fire protection equipment during performance of the work as required by insurance companies, authorities having jurisdiction and governing codes, regulations and by-laws. Ensure no access is blocked for this purpose.
- 3.5 Contractor to coordinate a staging area for the Subcontractors for equipment, tools and material storage. Locate trailers and/or lockable waterproof sheds on site as per HRSB Project Manager's instructions.
- 3.6 Provide sanitary facilities in accordance with local authority having jurisdiction.

#### **4 Indoor Environmental Protection:**

- 4.1 There are several sources of potential contamination during a construction/renovation project. These include:
  - 4.1.1 Demolition Activities:
    - 4.1.1.1 Demolition activities release dust and fibrous materials into the air. Asbestos control is essential. Insulation in ceilings and walls, and ceiling tile all have a high fiber content that may produce substantial fibrous materials during demolition. Total suspended particulate levels may be very high with a significant portion of the total being of the respirable particle sizes.
- 4.2 Construction:
  - 4.2.1 Construction introduces additional dust and fibrous materials. Many construction materials used today emit a range of volatile organic compounds, especially formaldehyde. All glues, vapours, and gases rise from solvents used to prepare surfaces for bonding, and emissions from welding and soldering can introduce a range of metals into the air.
- 4.3 Finish Work and Materials:
  - 4.3.1 Final finishing and decorating of the renovated spaces can introduce strong odours and more VOCs. Solvents, paints and varnishes, and adhesives and other glues all add to the accumulation of these irritating compounds.
- 4.4 The Contractor shall ensure site clean up is carried out at the end of each working day. This includes partially used containers of solvents, paints, caulking, adhesives, and ensuring that these are removed from the site. All construction debris shall be removed from the site at the end of each day, either to an approved dumpster outside the building, or removed completely from the property.

#### **5 Preparation:**

- 5.1 Inspect perimeter partitions of the construction area, above the ceiling and seal all penetrations above and below the ceiling. Carefully remove the minimum number of ceiling tiles necessary to perform the inspection and the work of sealing the partitions. HEPA vacuum above remaining ceiling tiles and grid and above existing ductwork to remove loose dust prior to removal.
- 5.2 Install new temporary 'dust tight' walls and include details of the plans for location.



- 5.3 Seal all doors leading to construction areas.
- 5.4 Any existing perimeter partitions of the construction area that do not extend to the underside of deck, Contractor to extend to ensure dust-free light area between the construction area and the remainder of the school.
- 5.5 Before any construction begins, doors between the rooms where work is being carried out and the adjacent corridor must be carefully sealed. Seal the doors completely at top, bottom, and sides. All vents, ducts, openings, etc. to be sealed. Do periodic inspections to ensure seals remain tight. Provide written information to the Project Manager.
- 5.6 Negative Pressure: Implement a system that extracts air directly from the work area, and discharges this air directly outside the work area to the outside of the building. All exhausted air is to pass through a HEPA filtering system before discharge to exterior. Place negative air pressure units in the area to be constructed in order to maintain a continuous negative pressure within the construction space. The construction area **MUST** be kept at a negative pressure relative to the occupied spaces.

## **6 During Construction:**

- 6.1 Erect impermeable dust barriers to completely seal off the work area from adjacent areas.
- 6.2 Dust barriers are to be maintained and remain in place until work is completed and the facility representative has approved removal. Any damage to barriers must be repaired as soon as possible.
- 6.3 **Contractors will be held responsible for any damage, dirt or dust migration beyond the construction enclosure and all cleaning cost to rectify same will be borne by the General Contractor.**
- 6.4 Post signs on the doors indicating that there is to be absolutely no unauthorized entrance or exit through the sealed-off areas except for fire or security reasons. Ensure that the construction crew and others comply with these restrictions.
- 6.5 Clean the construction area daily.
- 6.6 Dirty or dusty footprints outside the construction area that have been left behind by people who were in the construction area are to be promptly cleaned.
- 6.7 Use water mist and commercial dust suppressing products, approved by the Owner, to control dust. Execute work by methods to minimize raising dust from construction operations.
- 6.8 In the event equipment or materials cannot be removed from the construction area, use drop sheets to cover these items.
- 6.9 Debris transported from the second floor will be by the exterior in all cases possible. Contractor to provide sealed chute to covered bins below.
- 6.10 Failure to provide adequate dust control will result in the contractor bearing the cost of any clean up, repair or replacement deemed necessary as a result of dust generated from the project.
- 6.11 Ensure that windows, doors, penetrations, electrical outlets and intake and exhaust vents are properly sealed with plastic and taped within work area.
- 6.12 For exterior work adjacent to windows in an existing facility, test window openings for air tightness and seal windows that leak.

- 6.13 Verify that all fresh air intakes facing construction operation are shut down, and sealed not to allow dust or debris intake.
- 6.14 Ventilation:
  - 6.14.1 Seal duct openings in work are until completed.
  - 6.14.2 Maintain negative pressure between work area and adjacent occupied areas by using portable ventilation equipment.
  - 6.14.3 Verify that air is exhausted directly outside and away from intake vents, or filtered through a HEPA filter before being recirculated. Where odour is a concern, ensure an approved air scrubbing material is utilized.
  - 6.14.4 The main building's air handling system shall be disconnected from use in areas of construction. This will require sealing of existing duct work on both the supply and return air systems.
- 6.15 Remedial Measures:
  - 6.15.1 Water leaks and flooding shall be reported immediately to the Project Manager.
  - 6.15.2 Detected water damage must be thoroughly investigated in consultation with the Project Manager. A plan of action will then be implemented as approved by the Project Manager.
  - 6.15.3 All investigations, removal and abatement procedures shall be conducted in a manner that does not promote dispersal of dust and spores.
- 6.16 Cleaning During Progress of Work:
  - 6.16.1 Clean work area with HEPA filter-equipped vacuums and wet mops, or both, at end of each work shift and as necessary.
  - 6.16.2 Ensure ventilation system is functioning properly and is cleaned if contaminated by soil or dust after work is complete.

## **7 After Construction:**

- 7.1 Clean work area with HEPA filter equipped vacuums and wet mop.
- 7.2 Ensure air vents and ductwork are cleaned and seals removed.
- 7.3 If required, Contractor to conduct final indoor air quality test. Submit test results to the HRSB Project Manager.

## **8 Cutting and Patching**

- 8.1 Provide openings larger than 8" in diameter in non-structural elements of Work for penetrations of structural, mechanical and electrical Work. Openings smaller than 8" diameter will be provided by the Sub-trades requiring same.
- 8.2 When floor cutting is required, Contractor to confirm there are no under-floor electrical or junction boxes. Contractor must utilize a electrically power operated floor saw.
- 8.3 Fit work airtight to pipes, sleeves, ducts, conduit, and after penetrations through surfaces.
- 8.4 At penetration of fire rated wall, ceiling, or floor construction, completely seal voids with approved fire-stopping and smoke sealing materials, full thickness of the construction element, as required to maintain the required fire resistance and smoke spread rating.
- 8.5 Refinish surfaces to match adjacent finishes: For continuous surfaces refinish to nearest intersection; for an assembly, refinish entire unit.
- 8.6 Conceal pipes, ducts and wiring in floor, wall and ceiling construction of finished areas except where indicated otherwise.

## **9 Progressive Cleanliness & Restoration of Damage**

- 9.1 Maintain Work daily in tidy condition, free from accumulation of waste products and debris. Remove waste material and debris from site at end of each working day, and dispose of off-site. Ensure permits are obtained from authorities having jurisdiction for disposal of waste and debris.
- 9.2 Provide on-site containers for collection of waste materials and debris, and provide clearly marked separate bins for recycling.

## **10 Close Out Procedures:**

- 10.1 Remove dust, stains, paint spots, soil grease, fingerprints and accumulations of construction materials, interior and exterior to the building. Perform cleaning in accordance with installer's instructions for each material. Final cleaning shall include:
  - 10.1.1 Washing exterior paved surfaces disturbed under this contract.
  - 10.1.2 Cleaning and polishing of glass and finish metals, interior of areas noted.
  - 10.1.3 Cleaning of hardware, mechanical fixtures, lighting fixtures, cover plates and equipment, including polishing of their finish metal, porcelain, vitreous and glass components.
  - 10.4.4 Removing of visible manufacturer's labels left on materials, components and equipment.
  - 10.5.5 Cleaning of new flooring and of all other flooring disturbed under this contract.

### **10.2 Maintenance materials:**

- 10.2.1 Maintenance materials provided shall be new, not damaged or defective, and of the same quality and manufacture as products provided in the work. If requested, furnish evidence as to type, source and quality of products provided.
- 10.2.2 Provide 3% of all hard tile, floor and walls and 4 liters of each paint colour specified.

### **10.3 Testing Balancing and Adjusting**

Provide testing and ensure agency is a current member of AABC certified to perform services.

### **10.4 Demonstration of systems and equipment**

Provide complete demonstration of all systems and equipment in the presence of the Owner and maintenance representations at the following times:

### **10.5 Submittals**

- 10.5.1 Provide with application for substantial completion certificate.
  - 10.5.1.1 Certificate of final inspection report from electrical utility or inspection.
  - 10.5.1.2 Other reports required or specified.
  - 10.5.1.3 Maintenance manuals and operating instructions.
- 10.5.2 Submit with application for release of final payment:
  - 10.5.2.1 Final project record drawings including shop drawings.
  - 10.5.2.2 Performance bonds which shall remain in effect for one year after takeover date.

- 10.5.2.3 Completed Liability Insurance Policy extended for one year over date.
- 10.5.2.4 Written guarantee covering all workmanship and materials used in the work.
- 10.5.2.5 Certificate from Worker's Compensation Board.
- 10.5.2.6 Maintenance Bonds as specified.
- 10.5.2.7 Maintenance Manual.
- 10.5.2.8 Spare parts and maintenance materials and list.
- 10.5.2.9 Extended warranties.

**10.6 Substantial performance and final inspection procedures:**

10.6.1 Provide:

An inspection of the work, identify deficiencies and defects; repair as required. Notify the consultants in writing and request Substantial Performance Final Inspection.

10.6.2 Present at the Substantial Performance Inspection will be:

10.6.2.1 The consultants and his sub-consultants that he requires and notifies.

10.6.2.2 The Owner and his consultants upon notification by the design builder.

10.6.2.3 The design builder and such sub-contractors that he considers are required.

10.6.3 The Contractor will compile a Substantial Performance deficiency list at this inspection and issue it to the Owner and his consultants.

10.6.4 Upon the Owner's completion of the deficiencies, the design builder shall submit an application for final payment and a certificate for payment will be issued by the consultant to the Board.

**10.7 Substantial performance:**

10.7.1 The owner will issue a Certificate of Substantial Performance when satisfied outstanding deficiencies noted during inspections prior to the Substantial Performance inspection have been corrected, and the work is substantially performed.

10.7.2 The owner reserves the right to occupy and use portions of the building(s), whether partially or entirely completed, or whether completed on schedule or not, provided such occupancy does not interfere with the Design Builders continuing work. Partial occupancy or installation by the Owner of his equipment shall not imply acceptance of Substantial Performance, in whole or in part, nor shall it imply acknowledgement that terms of the agreement are fulfilled.

10.7.3 The Certificate of Substantial Performance will be attached to the list of remaining deficiencies to be rectified before final acceptance.

10.7.4 Make submissions specified in this section.

**10.8 Completion certificate:**

- 10.8.1 The owner will issue a Certificate of Performance when he is satisfied that outstanding deficiencies noted during inspections have been corrected and the work is complete.
- 10.8.2 A list of remaining deficiencies to be rectified before final acceptance will be attached to the completion certificate.
- 10.8.3 Make submissions specified in this section.

**10.9 Warranties:**

- 10.9.1 Establishment of warranties:
  - 10.9.1.1 Warranties shall commence on date of approval of the Substantial Performance Certificate.
- 10.9.2 Warranty period:
  - 10.9.2.1 The Owner will notify the design builder of defects observed during warranty period and request him to remedy the defects in accordance with the contract documents.
  - 10.9.2.2 Thirty days before the expiration of warranties, the Owner and the design builder will inspect the work as arranged by the design builder noting defects of products and workmanship.
  - 10.9.2.3 The designer builder shall immediately remedy such noted defects.

## 2.1 SITE VISITS

- (a) Bidders will be deemed to have familiarized themselves with existing site and all other conditions which may affect performance of the Contract. No plea of ignorance of such conditions as a result of failure to make all necessary examinations and calculations will be accepted as a basis for any claims for extra compensation or an extension of time.
- (b) **There WILLNOT be mandatory bidder's site meetings for Tender #3688, however, DRAWINGS ARE CONCEPT ONLY. CONTRACTORS TO SITE VERIFY ALL DIMENSIONS AND QUANTITIES.**

## 3.0 FORM OF TENDER - BIDDER DECLARES

- (a) That this tender was made without collusion or fraud.
- (b) That the proposed work was carefully examined.
- (c) That the bidder is familiar with local conditions.
- (d) That contract documents and attachments were carefully examined.
- (e) That all the above were taken into consideration in preparation of this tender.

## 3.1 BIDDER AGREES

- (a) To enter into a contract to supply all labour, material and equipment and to do all work necessary to complete the Work as described and specified herein for the prices as per the Form of tender, Schedule of Prices, Article 3.5.
- (b) That this tender is valid for acceptance for 60 days from the time of tender Closing.
- (c) That failure to enter into a formal contract and give specified documents within time required will constitute grounds for forfeiture of this agreement.
- (d) That if Certified Cheque or bid bond is forfeited, the Owner will retain difference in money between amount of tender and amount for which owner legally contracts with another party to perform the work and will refund balance, if any, to bidder.
- (e) I/WE certify that the company listed herein is in good standing with the City of Halifax Tax Collector and all Municipal, Provincial and Federal Tax Agencies. Failure to complete this certification and maintain this status will be cause for rejection of your tender and/or cancellation of any contractual undertaking with the Board. We further agree with and accept the terms set out in this tender document.

*Halifax Regional School Board*

**CONTRACTOR INFORMATION SHEET**

***TENDER #3688***  
***PAVING - VARIOUS SCHOOLS***

FIRM \_\_\_\_\_

ADDRESS \_\_\_\_\_

E-MAIL ADDRESS \_\_\_\_\_

POSTAL CODE \_\_\_\_\_ PHONE \_\_\_\_\_ FAX \_\_\_\_\_

NAME OF PERSON SIGNING FOR FIRM \_\_\_\_\_

POSITION OF PERSON SIGNING FOR FIRM \_\_\_\_\_

The undersigned company represents and warrants that it is authorized to carry on business of this nature and that it is not prohibited by any law applicable in Nova Scotia from performing this Contract. The undersigned also acknowledges receipt and understanding of, and has taken into consideration all information presented in, this tender and agrees to be bound by its terms and conditions. The undersigned further confirms and agrees that the person whose name is set out below is fully authorized to represent the company and to bind it to this bid and the Contract awarded pursuant to it and in all matters relating to or arising out of the subject matter of this tender.

I/WE, the undersigned, having carefully examined the **#3688 PAVING - VARIOUS SCHOOLS** – tender documents, and having read, understood, and accepted the Conditions of the tender which form part of the tender documents, hereby offer to provide the materials and service in strict accordance with the **#3688 PAVING - VARIOUS SCHOOLS** – documents, which form part of this tender.

I/WE, hereby agree that notification of acceptance of this bid shall be in writing and may be sent by prepaid post or fax, and if sent by prepaid post, acceptance shall be deemed to have been made on the date of mailing of such notification.

3.2 **REFERENCES:**

The Bidder shall furnish particulars of at least three contracts successfully completed or currently being carried to completion. The projects quoted should preferably be approximate in nature to the Works now proposed for and be of comparable or greater size.

Contact Name & Phone #	Date	Contract Value
_____	from _____ to _____	_____
_____	from _____ to _____	_____
_____	from _____ to _____	_____
_____	from _____ to _____	_____

3.3 **SUB CONTRACTORS:**

The Bidder shall enter the name and address of each Sub-Contractor used in making up this Tender. Only one Sub-Contractor shall be named for each part of the work to be sublet.

Subcontractor/Suppliers/Manufacturers	Service/Material





3.5 **SCHEDULE OF PRICES**

**CONTINGENT UNIT PRICES:** [see article 1.2 (p)]

Provide unit prices for contingency items in the event that additional work items are required in association with the scope of work as outlined in section 2.0 and the total value of unit prices shall be included in the Total Fixed Cost price.

Item No.	Description	Unit of Measurement	Estimated Quantity	Unit Price
1.	#ADDITION OF PAVEMENT TO SCOPE	SQ FT	_____	\$ _____
2.	REMOVAL OF PAVEMENT FROM SCOPE	SQ FT	_____	\$ _____
3.	_____	_____	_____	\$ _____
4.	_____	_____	_____	\$ _____
5.	_____	_____	_____	\$ _____
6.	_____	_____	_____	\$ _____

*\* Item No. 1 includes but is not necessarily limited to: excavation, removal, trucking & disposal of asphalt and fills to achieve new subgrade level; proof rolling; new gravels, compaction, primer; tack coat; paving (2-lifts); labour; equipment; supervision; traffic control and other incidentals as required to complete the new paving.*

3.6 **TIME AND MATERIAL PRICES:**

Provide unit prices for time and material work if no fixed price is requested in association with the work as outlined herein.

Item No.	Description	Unit of Measurement	Estimated Quantity	Unit Price
1.	_____	_____	_____	\$ _____
2.	_____	_____	_____	\$ _____
3.	_____	_____	_____	\$ _____
4.	_____	_____	_____	\$ _____
5.	_____	_____	_____	\$ _____
6.	_____	_____	_____	\$ _____

3.7 **PROPOSED FIXED PRICE**

The fixed price shall be the full inclusive value of the work. The prices submitted shall be all-inclusive and shall include for all the general and special requirements to meet the specifications of the work, including any contingent costs.

**NOTE: DO NOT SCALE DRAWINGS – DRAWINGS ARE CONCEPT ONLY. CONTRACTORS TO SITE VERIFY ALL DIMENSIONS AND QUANTITIES.**

<b>DESCRIPTION</b>	<b>TOTAL FIXED PRICE</b>
<i>PAVING - VARIOUS SCHOOLS</i>	
1. Prospect Road Elementary	\$ _____
2. Elizabeth Sutherland	\$ _____
3. Grosvenor Wentworth	\$ _____
4. J L Ilsley	\$ _____
5. A J Smeltzer	\$ _____
6. Harry R Hamilton	\$ _____
<b>SUBTOTAL</b>	<b>\$ _____</b>
ADD HST (15% OF TOTAL PRICE)	\$ _____
<b>TOTAL CONTRACT PRICE (All locations)</b>	<b>\$ _____</b>

SUBSTANTIAL PERFORMANCE DATE: \_\_\_\_\_

BIDDERS HST REGISTRATION NO. \_\_\_\_\_

3.8 **SIGNATURE:**

SIGNED AND DELIVERED  
in the presence of:

**CONTRACTOR**

\_\_\_\_\_  
Company name

\_\_\_\_\_  
Witness

\_\_\_\_\_  
Signature of Signing Officer

\_\_\_\_\_  
Name and Title (printed)

**SCHEDULE A**

**AGREEMENT FOR SUPPLY OF SERVICES**

This Agreement made effective on the \_\_\_\_\_ day of \_\_\_\_\_ in the year 20

**For:**

**Project Name:**

**Location:**

**Tender #**

by and between:

**HALIFAX REGIONAL SCHOOL BOARD ("HRSB")**

and

**COMPANY NAME:**

**ADDRESS:**

**CITY:**

**PROV:**

**Postal Code:**

(the "Contractor")

**The parties agree as follows:**

1. Contractor shall provide to HRSB the services set forth in Appendix "C" – Description of Services, and accompanying Exhibits (which along with all other obligations of Contractor set forth in this Agreement shall constitute the "Services") in accordance with the terms of this Agreement.
2. This Agreement consists of the following parts (together, the "Agreement"), each of which shall be construed as an integral part of this Agreement:

**This signature page**

**Appendix "A" – General Terms and Conditions**

**Appendix "B" – Risk Management & Safety**

**Appendix "C" – Description of Services  
Exhibit A – RFP or Invitation to Tender**

**Exhibit B – Response to RFP or Tender**

**Appendix "D" – Undertaking to Comply Form and Contractor Safety  
Checklist**

**Appendix "E" – Safety Plan**

**Appendix "F" – Contractor Checklist**

The above Appendixes and Exhibits are intended to be complementary, and what is required by any one shall be as binding as if required by all.

3. Contractor confirms that it has read this Agreement before signing it.

4. The individual signing below for Contractor warrants by his/her signature hereon that he/she has authority to bind Contractor to this Agreement.

**HALIFAX REGIONAL SCHOOL BOARD**

**CONTRACTOR**

Signature: \_\_\_\_\_

Signature: \_\_\_\_\_

Name (print): Kathryn Burlton

Name (print): \_\_\_\_\_

Title (print): *Purchasing Manager*

Title (print): \_\_\_\_\_

Date: \_\_\_\_\_

Date: \_\_\_\_\_

**SAMPLE ONLY**

**CONTRACTOR'S ATTENTION IS SPECIFICALLY DRAWN TO THE APPENDIX "A" TERMS AND CONDITIONS GOVERNING THIS AGREEMENT. EXECUTING PARTIES' ATTENTION IS DRAWN TO APPENDIX "C" AND APPENDIX "C" TO BE INITIALED OR EXECUTED BY EACH PARTY IN ACKNOWLEDGMENT OF THE TERMS THEREIN.**

## APPENDIX "A"

### TERMS AND CONDITIONS

#### SERVICES

**Services:** Contractor shall provide the Services to HRSB in accordance with the terms of this Agreement, on the HRSB properties specified in Appendix "C" (the "**Description of Services**"). Except as may be otherwise expressly provided in Appendix "C", Contractor shall provide all the equipment, personnel, supplies, consumables, supervision and labour necessary to complete the Services in a good and workmanlike manner. No changes or modifications to the Services or otherwise to this Agreement shall be valid unless made in accordance with Article 5 of this Agreement. The Contractor shall employ a competent supervisor who shall be in attendance at the place of work at all times while Services are being performed.

**Term:** This Agreement shall commence upon and later expire upon the dates specified in Appendix "C" (such period being the "**Term**"), unless earlier terminated in accordance with the provisions of this Agreement. Should Contractor continue to provide, and HRSB continue to pay, for the Services beyond the Term, such provision of Services shall be deemed to be on a temporary basis only and terminable at any time by HRSB with or without cause, and the provisions of this Agreement shall apply in full force (save as to the termination provisions in Article 9) until such termination.

#### FINANCIAL TERMS, PAYMENT, LIENS

**Contract Price:** For and in consideration of the Contractor providing the Services in accordance with the terms of this Agreement, the HRSB agrees to pay to the Contractor the sum of

§

(*plus HST*) hereinafter referred to as the "**Contract Price**". Such Contract Price shall include any and all expenses Contractor may incur in the performance of the Services.

**Invoices:** The Contractor shall submit a single invoice to HRSB for all Services rendered under this Agreement unless Appendix "C" provides otherwise. Contractor's invoice shall indicate applicable sales and use taxes as separate amounts and indicate the net taxable value including all applicable discounts. HRSB shall not be obligated to pay any taxes to Contractor unless Contractor is registered with the applicable authorities and provides its registration number on the invoice. Contractor's invoice shall be in a form acceptable to HRSB and contain sufficient details to ascertain the scope of Services performed and, if requested, Contractor shall provide documentation in support of an invoice. If HRSB disputes any portion of the invoice, it shall pay such invoice less the disputed amount, subject to adjustment upon resolution of the dispute. Non-payment by HRSB of any amount in dispute shall not alleviate, diminish or modify in any respect Contractor's obligations to perform as required by and in accordance with this Agreement.

**Payment of Invoices:** Upon the HRSB certifying that the Services have been completed, the HRSB shall pay to the Contractor, thirty (30) calendar days from the date of such certification,

unless otherwise stipulated in Appendix "C", the full Contract Price due and payable hereunder, less any holdback required to be retained under the *Builder's Lien Act* of Nova Scotia (the "*Builder's Lien Act*"), other statutory obligation or as otherwise stipulated in Appendix "C", provided the Contractor has submitted the following:

a written statement from the supplier(s) of all materials used for the Services certifying that payment has been made in full for same or waivers of liens from such supplier(s) in due form;

a worker's wage statement containing all the information required by the HRSB pertaining to the Contractor's, and all of its subcontractors', workers. Such statement requires the name of the workers, hours worked, rate of pay, total wages received, and a signature from each worker certifying that they have received payment in full for all time worked on the job indicated on the form; and

certification that the statement is correct.

**Release of Holdbacks:** No holdback shall be paid to the Contractor until the Contractor has provided to the HRSB a statutory declaration in a form as set forth in Canadian Construction Documents Committee ("CCDC") Document 9A, together with evidence of compliance with the *Workers' Compensation Act*, and, if applicable, a copy of the Certificate of Title for the Lands, dated thirty (30) calendar days from the issuance of the Certificate of Substantial Performance (as defined in the *Builder's Lien Act*) of work by the Contractor, confirming that no liens have been placed against the Lands in association with Contractor's Services.

**Liens:** Contractor shall keep the Lands and all HRSB property free from any and all laborers', materialmen's and mechanics' liens and similar claims and encumbrances. To the fullest extent permitted by law, Contractor waives all rights to assert such liens against the Lands and all HRSB property. If Contractor fails to release and discharge any claim of lien of others against the Lands and HRSB property within FOUR (4) business days of receiving notice from HRSB, HRSB may at its option discharge or release the claim of lien, or otherwise deal with the lien claimant, and Contractor shall be liable to and shall pay HRSB any and all costs and expenses of HRSB in doing so, including all reasonable legal fees and expenses. Notwithstanding the foregoing, for the purpose of enforcing the terms of this Agreement, HRSB may apply for the following liens and rights when circumstances deem it necessary:

if the Contractor contracts for one or more jobs with HRSB, the HRSB shall have a lien on the Contract Price and extras on that job as well as on their other jobs with the HRSB;

the HRSB shall have a lien on the Contractor's equipment or supplies on any job; and

in the case of Contractor, without sufficient cause (in the opinion of the HRSB), suspending work on any job which continues for more than two (2) days, HRSB may take possession of any materials delivered to or for the Contractor on such job and use same, giving the Contractor credit for its value at not more than cost thereof to the Contractor, against any liability of the Contractor to the HRSB and may use any of the Contractor's equipment that was in use on any of the HRSB's premises until the completion of the unfinished work.

**Tax:** Contractor shall comply with all applicable tax laws, including but not limited to laws relating to: (i) the collection and remittance of HST; and (ii) the withholding of applicable taxes from those of its employees performing work under this Agreement. Contractor shall be liable for and shall indemnify HRSB in respect of any claims, penalties, interest or costs made or assessed against HRSB arising from Contractor's non-compliance with tax laws.

**Audit:** Contractor shall keep and maintain true and correct books, records and accounts with respect to the Services and any materials supplied in relation to the Services, along with invoices and monthly summaries, for a period of seven (7) years after Contractor ceases to provide the Services. Contractor shall, upon request of HRSB, make available and permit HRSB during such period to inspect, make copies of, and audit all such records. If there is any revision to charges as a result of an audit, within thirty (30) days of the audit Contractor shall pay to HRSB the full amount of any credit or HRSB shall pay to Contractor the full amount of any shortfall, as the case may be. The provisions of this Section shall survive the termination of this Agreement.

## DUTIES OF THE CONTRACTOR

**Sub-Contractors:** Contractor shall not subcontract the whole or any part of the Services without first receiving the written consent of HRSB, which consent may be withheld in HRSB's sole discretion. Where such consent is granted, Contractor shall not be released or relieved from any obligations or liabilities of Contractor under this Agreement nor shall HRSB be prevented from pursuing any legal or equitable remedies it may be entitled to against Contractor. Contractor shall remain liable and responsible to HRSB for the actions and omissions of any subcontractor and shall ensure that any subcontractor strictly adheres to all terms of this Agreement, including any safety requirements referred to in this Agreement. When requested by HRSB, Contractor shall provide HRSB with all details concerning any and all subcontracted work.

**Site Representative and Instructions:** The Contractor shall identify in the Undertaking to Comply attached in Appendix "D" to this Agreement, a job site representative to act on the Contractor's behalf. This representative shall have the authority to represent the Contractor with relation to taking instruction on behalf of Contractor and entering agreements or taking such other actions on matters related to this Agreement. HRSB shall identify in Appendix "C" Description of Services, or through subsequent notice to Contractor, its project manager, who has the authority to represent HRSB and instruct Contractor on matters related to this Agreement. If the Contractor representative is not on the job site at the time of a visit by HRSB's project manager, the orders of the HRSB project manager to any worker present shall be carried out. Contractor shall not seek direction from any person on matters related to this Agreement, other than from the HRSB project manager.

## DELAYS

**Delays:** If the Contractor is delayed in the performance of the Services, and such delay is outside the Contractor's direct control, then the schedule to perform the Services may be extended for such reasonable time as the HRSB may decide in consultation with the Contractor. No such extension shall operate to extend the Term of this Agreement. Weather is not considered a reason for delay. No extension shall be made for delay unless written notice of



delay is given to the HRSB not later than two (2) working days after the commencement of delay, providing however, that in the case of a continuing cause of delay only one notice of claim shall be necessary, and for only such period as approved by HRSB in writing, in its discretion.

**Delay by HRSB:** The HRSB will not, except by written notice to the Contractor, stop or delay the Services as a result of pending instructions or proposed changes in the Services.

**Adherence to Schedule:** If the Contractor is delayed in the performance of the Services by any cause within the Contractor's control, the Contractor shall at no cost to the HRSB take effective action to restore the Services to the original time schedule for their completion, whether or not such schedule is appended to this Agreement.

## CHANGES IN THE WORK

**Change Orders:** The HRSB, without invalidating this Agreement, may make changes in the Services with the Contract Price and Term being adjusted accordingly, by written notice of change (a "Change Order"). No changes in the Services shall proceed without a Change Order signed by the HRSB and no claim for a change in the Contract Price or change in the Term shall be valid unless so ordered and at the same time valued by the Contractor as provided in Section 5.2.

**Change Approvals:** When a change in the Services is proposed or required, the Contractor shall present to the HRSB for its approval the value of the change whether an extra charge or a credit. Changes submitted for approval are to be accompanied by a detailed breakdown of labour and materials, to which shall be added supervision, overhead and profit charges. Change charges submitted shall be calculated in the following manner:

for work done by the Contractor, add to the net direct cost not more than ten (10%) percent for overhead, profit, supervision and bonding costs; and

for work done by any subcontractor, add to the net direct cost, not more than FIVE (5%) percent for overhead and profit payable to the subcontractor, and add not more than FIVE (5%) percent to the subcontractor's amount for supervision of the subcontractor by the Contractor and for bonding costs.

The HRSB will satisfy itself as to the correctness of such claim and, when approved by the HRSB, a Change Order shall be issued to the Contractor amending the Contract Price and Term as appropriate.

## DEFECTIVE WORK & DISMISSAL OF WORKERS

**Defective Work:** Defective work is work that has been rejected by the HRSB as failing to conform to this Agreement. Contractor shall promptly correct defective work, as required to conform to this Agreement, with no change in Contract Price. If, in the HRSB's opinion, it is not expedient to correct defective work, the HRSB may deduct from the Contract Price the difference in value between the Services as performed and that required by this Agreement, the amount of which will be reasonably determined by the HRSB.

**Dismissal of Workers:** The Contractor shall, on the request of the HRSB, immediately dismiss from the job any person employed by the Contractor who may, in the opinion of the HRSB, be incompetent or for misconduct, and such persons shall not again be employed on the job without the prior written permission of the HRSB. Foul language will be considered as misconduct.

## **PRODUCT OPTIONS AND SUBSTITUTIONS**

**Product Selection:** Contractor may:

for any products specified by non-proprietary specification in Appendix "C", select any product of any manufacturer which meets the requirements of this Agreement.

for products specified by proprietary specification and accompanied by words indicating that substitutions will not be accepted in Appendix "C", select any product or manufacturer named. Substitutions are not permitted; and

except where substitutions are not permitted, when a product is specified by proprietary specification, other unnamed products will be accepted, subject to such substitutions being the same generic type, and capable of performing the same functions and meeting or exceeding the standards of quality and performance, as the named product. Substitutions shall not require revisions to this Agreement or a Change Order.

**Product Substitutions:** When making a substitution, the Contractor shall represent in writing that:

Contractor has investigated substitute products and/or manufacturer and has determined that the substituted product meets the criteria specified in Section 7.1 (c);

Contractor will make any changes to the Services necessitated by the substitution as required for the Services to be complete in all respects; and

Contractor waives all claims for additional costs and time caused by substitution, which may subsequently become apparent.

## **COMPLIANCE WITH LAWS, SAFETY AND PRIME CONTRACTOR**

**Compliance with Laws:** Contractor shall comply with, and shall ensure subcontractors comply with, all applicable federal, provincial, and municipal laws, regulations and by-laws and to all other applicable orders, rules and regulations of any authority having jurisdiction respecting the Services, including without restriction all applicable environmental legislation, employment standards codes and workers' compensation legislation or equivalent legislation. CONTRACTOR SHALL FURNISH HRSB WITH WRITTEN CONFIRMATION FROM THE APPLICABLE WORKERS' COMPENSATION AUTHORITIES, OR EQUIVALENT AUTHORITIES, THAT CONTRACTOR AND ANY SUBCONTRACTORS ARE IN GOOD STANDING WITH SUCH AUTHORITIES, AND NO CONTRACTOR INVOICE SHALL BE PAYABLE UNTIL SUCH CONFIRMATION IS RECEIVED.

**Safety:** Contractor shall comply with and shall ensure all of its agents, employees and subcontractors comply with all applicable fire, safety, health, and environmental laws and regulations, including all safety, health and environmental requirements pursuant to any government permit, license, or authorization. Contractor shall be solely responsible for ensuring the safety and health of its agents, employees and subcontractors and for ensuring that its activities do not compromise the safety of HRSB's operations.

**Occupational Health and Safety Legislation:** Contractor shall comply with all applicable provisions of the *Occupational Health and Safety Act* (Nova Scotia) (the "Act") regulations thereto. Contractor shall execute and provide to HRSB the Undertaking to Comply Form with attached Pre-Construction Meeting Contractor Safety Checklist attached as Appendix "D". Contractor shall also supply to HRSB a Certificate of Recognition (COR) form as required under the Act and other applicable legislation.

**Designation of Prime Contractor:** The parties agree to designate in Appendix "D" that the Contractor shall be the "prime contractor" for the work site on the Lands for the purposes of the Act, during the Term, under this Agreement. The Contractor hereby agrees that:

such obligation shall extend to protect all contractors, employees, workers and persons as specified in the Act concerning the work site notwithstanding that they have been retained by HRSB after the date of execution of Appendix "D" by the Contractor; and

HRSB may in its sole discretion notify the Contractor in writing that the Contractor shall, following the date of such notice, assume the role of the "prime contractor" under the Act with respect to the work site notwithstanding that the Contractor was not so designated in Appendix "D" at the time of its execution by the Contractor, and the Contractor hereby agrees to do so.

**Responsibilities of the Prime Contractor:** Contractor shall:

direct all subcontractors, other contractors, employers, workers and any other personnel at the work site on safety related matters, to the extent required to fulfill its "prime contractor" responsibilities pursuant to the Act, regardless of:

whether or not any contractual relationship exists between the Contractor and any of these entities, or

whether or not such entities have been specifically identified in this Agreement;

ensure all obligations under the Act are strictly adhered to by all personnel;

be diligent in ensuring that its subcontracts comply with all health, safety and environmental legislation;

take appropriate disciplinary action against subcontractors who contravene health, safety or environmental legislation, which includes but is not limited to the suspending of the work performed by the subcontractors, before allowing them to continue to work on the site; and

ensure that Contractor or subcontractors never place the HRSB students, staff, volunteers or the general public at risk of injury or illness related to work conducted under this Agreement.

The HRSB shall provide Contractor, where applicable, with a list of all subcontractors under contract to the HRSB, working on the work site at the same time as Contractor, as well as their contact information. Failure by the HRSB to provide such information to Contractor shall not relieve Contractor of its obligation under this Section 8.5.

**HRSB Access:** At all times during the Term, HRSB Project Managers, agents and designates shall have the right to access, ingress and egress any work site, building or facility where Contractor performs the Services, and any part thereof, for any purpose, and neither Contractor nor its subcontractors shall refuse such access, ingress or egress whatsoever.

## TERMINATION

**Insolvency:** If the Contractor should be adjudged bankrupt, or makes a general assignment for the benefit of creditors because of insolvency or if a receiver is appointed, the HRSB may, without prejudice to any other right or remedy it may have, by giving the Contractor or receiver or trustee in bankruptcy written notice, immediately terminate this Agreement.

**Breach by Contractor:** If the Contractor should neglect to prosecute the Services properly or otherwise fail to comply with the requirements of this Agreement, the HRSB may notify the Contractor in writing that it is in default of its obligations and instruct it to correct such default within FOUR (4) business days immediately following the receipt of such notice. If the correction of the default cannot be completed in the FOUR (4) business days specified, the Contractor will be considered to be actually attempting to cure the default if it:

commences the correction of the default on a best efforts basis, in HRSB's sole opinion, within FOUR (4) business days of receiving a notice of default;

provides the HRSB with a schedule for such correction which HRSB approves by written notice to Contractor; and

completes the correction in accordance with such approved schedule and without any additional cost or delay to the HRSB.

If the Contractor fails to correct the default in the time specified or subsequently agreed upon, the HRSB, without prejudice to any other right or remedy it may have, may terminate the Contractor's right to continue with the Services in whole or in part, and/or terminate this Agreement. Such termination must be in writing to the Contractor upon thirty (30) days notice.

**Other Remedies:** If this Agreement is terminated in whole or in part by the HRSB as a result of the default of the Contractor, the HRSB shall be immediately entitled to withhold any and all further payments which may be due and owing to the Contractor, complete or hire a third party to complete the Services in a manner it determines to be expedient, or to do whatever else it deems prudent or expedient in the circumstances to complete the Services.

**Safety Default:** This Agreement may be immediately terminated by HRSB for non-compliance by Contractor of any of its obligations under Article 8 of this Agreement.

## DISPUTE RESOLUTION

**Disputes Generally:** Disputes between the Contractor and the HRSB as to the interpretation, application or administration of this Agreement or any failure to agree where agreement between the parties is called for, which are to be resolved between the parties, shall be settled by mediation and/or by arbitration.

**Use of Mediation.** Should HRSB choose to mediate a dispute:

Mediation shall take place on a confidential, without prejudice, basis with a single trained mediator who is a member of the Nova Scotia Arbitration and Mediation Society, jointly selected by the Contractor and the HRSB (the “**Mediator**”). The Mediator must be impartial and independent with no involvement in the dispute. This impartiality must be assessed by each of the parties prior to mediation. If a bias or perception of bias develops during the mediation, either party or the Mediator may terminate the mediation.

The Contractor, the HRSB and the Mediator shall agree on the fees, timing and any specific procedures and shall share the costs of mediation equally. All parties shall agree to and sign an agreement to mediate drawn up by the Mediator prior to mediation.

**10.3 Arbitration:** By written notice by one party to the other (a "Notice of Arbitration"), all disputes arising out of this Agreement, including its interpretation, must be submitted to binding arbitration in accordance with the provisions of the *Commercial Arbitration Act* (Nova Scotia), subject to the following:

- (a) The arbitration panel will consist of one arbitrator. If the parties fail to reach agreement on the selection of the arbitrator within 10 days following delivery of the Notice of Arbitration, any party may apply to The Supreme Court of Nova Scotia to appoint the arbitrator. The arbitrator will be qualified by education, training and industry experience to rule upon the particular dispute to be resolved.
- (b) The arbitrator will be instructed that time is of the essence in the arbitration proceeding and, in any event, the arbitration award must be made within 90 days of the submission of the dispute to arbitration and within 15 days of the conclusion of any hearing, or if there is no hearing, within 15 days of the delivery of written submissions.
- (c) The arbitration will take place in Halifax, Nova Scotia or such place as the parties may agree and will be conducted in the English language.
- (d) The arbitration award will be given in writing and will be final and binding on the parties. The award will give reasons and will deal with the question of costs of the arbitration and all related matters. The contractor and the HRSB shall share the costs of arbitration equally, unless otherwise determined by the Arbitrator.
- (e) The parties will keep all matters relating to the arbitration strictly confidential. The existence of the proceeding and any element of it (including any pleadings, briefs or other documents submitted or exchanged, any testimony or other oral submission in any award) will not be disclosed except to the arbitrator, the parties, their counsel and any person necessary to the conduct of the proceeding, except as may be required by law or as may be lawfully required in judicial proceedings relating to the arbitration.

## PERFORMANCE BOND

**Bond Requirement:** Contractor shall, on execution of this Agreement, provide and pay for a performance bond in the amount of fifty (50%) percent of the Contract Price and a labour and materials payment bond in the amount of fifty (50%) percent of the Contract Price issued by a bond company acceptable to the HRSB, to continue in force for one (1) year after substantial completion of the Services, covering the performance of all obligations of the Contractor and all warranties of the Contractor under this Agreement.  *Required*       *Not Required*

## WARRANTY

**Warranty:** The Contractor hereby warrants that:

it shall correct promptly, at Contractor's sole expense, defects or deficiencies in the Services as a result of workmanship or materials, which appear prior to the first (1<sup>st</sup>) anniversary of the date of completion of the Services, or such longer periods as may be specified for certain products or work in Appendix "C"; and

during the construction and warranty periods, defects or deficiencies in the Services, causing an emergency condition on the Lands or premises requiring immediate remedial/emergency repairs, outside of normal working hours, will be responded to by the HRSB's operations or maintenance staff. Costs for this emergency response will be the responsibility of the Contractor, and Contractor is hereby liable to indemnify HRSB for all such costs.

## CONFIDENTIALITY AND OWNERSHIP OF WORK PRODUCT

**Confidentiality:** Contractor shall:

not make use of any HRSB Confidential Information for its own personal gain or for any purpose other than is required to provide the Services;

not disclose any HRSB Confidential Information to any person except employees, consultants, subcontractors and agents who have a need to know such information consistent with the provision of the Services, but only after such person has properly assumed obligations identical in principle to those in this Section and Contractor ensures that such person at all times complies with those obligations

employ diligent efforts and exercise reasonable care to hold all HRSB Confidential Information in the strictest confidence;

not use HRSB's name for any marketing or promotional purposes and not make any public announcements or disclosure in respect of this Agreement or Contractor's relationship with HRSB without first obtaining written consent from HRSB; and

be liable to HRSB and indemnify HRSB for any breach of this Section by Contractor or its employees, consultants, subcontractors or agents.

**Terms of Agreements:** Neither party shall disclose the terms of this Agreement or amounts paid under it to any person without the other party's written consent, except to a party's employees, professional advisors and insurers who have a need to know such information, but only where the party ensures that such persons are under obligations of confidentiality identical in principle to those in this Section. HRSB shall not disclose Contractor's information respecting pricing or any information supplied by Contractor that is clearly marked "Confidential" to any person except HRSB's employees, consultants, subcontractors and agents who have a need to know such information.

**"HRSB Confidential Information"** refers to any and all information, material and data disclosed to Contractor by HRSB, or obtained by Contractor in connection with providing the Services, directly or indirectly, orally, in any written form, or in any magnetically or electronically recorded form, or by drawings or inspection of parts or equipment, and including but not limited to: (i) information, knowledge or data of an intellectual, technical, scientific, commercial or industrial nature, or of a financial, cost, pricing, or marketing nature relating to the business operations of HRSB; or (ii) any information supplied by HRSB that is clearly marked "Confidential"; but shall not include information in the public domain or information that at the time of disclosure was already known to Contractor on a non-confidential basis.

**Ownership of Work Product:** All property and intellectual property rights in all reports, designs, drawings, studies, specifications, software, materials, inventions and other work product created, produced or arising in connection with the performance of the Services, whether completed or in progress, and regardless of who was involved therewith, shall be owned exclusively by HRSB and either delivered to HRSB or made available for inspection by HRSB. HRSB's ownership of and title to the foregoing shall arise automatically upon its creation and not be subject to the payment of the Contract Price to Contractor. To the extent Contractor has any title to the foregoing, Contractor shall take and cause to be taken all necessary steps (including a waiver of any moral rights) to transfer title thereto to HRSB.

**Survival:** The provisions of this Article shall survive the expiration or termination of this Agreement.

## MISCELLANEOUS PROVISIONS

**Notices:** Communications in writing between the parties shall be considered to have been received by the addressee on the date of delivery if delivered by hand or by facsimile, or if sent by post, to have been delivered within FOUR (4) business days of the date of mailing, when addressed to the addresses in Appendix "C":

**Assignment:** This Agreement is not assignable by Contractor without the prior written consent of HRSB, which consent may be withheld arbitrarily. Any purported assignment by Contractor of any of its rights, duties, or obligations under this Agreement without HRSB's written consent, shall be voidable by HRSB at its option. Contractor shall not in any event be released from its duties and obligations under this Agreement. HRSB may assign this Agreement upon providing notice to without obtaining Contractor's consent.

**Binding Effect:** This Agreement shall be binding upon and enure to the benefit of each of HRSB and Contractor and their respective successors and permitted assigns.

**Interpretation:** In this Agreement, all references to 'dollars' or '\$' are to Canadian dollars unless stated otherwise. The insertion of headings is solely for convenience of reference and shall not affect the interpretation of any provision.

**Independent Contractor:** The parties agree that Contractor is an independent contractor, that nothing in this Agreement shall be construed as establishing or implying a relationship of master and servant between the parties, or any joint venture or partnership between the parties, and that nothing in this Agreement shall be deemed to constitute either of the parties as the agent of the other party or authorize either party to incur any expenses on behalf of the other party or to commit the other party in any way whatsoever. Contractor and its servants, agents or employees shall at no time be deemed to be servants, agents or employees of HRSB, or be deemed to be under the control or supervision of HRSB when carrying out the Services. Without the prior written consent of HRSB.

**No waiver:** No party shall be deemed to have waived the exercise of any right that it holds under this Agreement unless such waiver is made in writing. No waiver made with respect to any instance involving the exercise of any such right shall be deemed to be a waiver with respect to any other instance involving the exercise of that right or with respect to any other right.

**Governing Law:** This Agreement shall be governed by and interpreted in accordance with the laws of the Province of Nova Scotia and the laws of Canada applicable therein, excluding any conflict of laws rules that may apply therein. The parties hereby attorn to the non-exclusive jurisdiction of the courts of the Province of Nova Scotia, without prejudice to the rights of HRSB to take proceedings in any other jurisdiction. The parties hereby waive any right to a trial by jury.

**Time of the Essence:** Time shall be of the essence in this Agreement.

**Set-Off:** HRSB shall be entitled at all times to set off any amount owing from Contractor to HRSB against any amount due or owing to Contractor with respect to this Agreement.

**Entire Agreement; Invoice Terms of No Effect:** This Agreement constitutes the entire agreement of the parties concerning its subject matter and no other representation, warranties or agreements, either oral or written, shall be binding upon HRSB or Contractor. This Agreement supercedes and invalidates all prior agreements, understandings, negotiations, representations and warranties, whether oral or written, with respect thereto. The terms of this Agreement shall supersede any terms attached to Contractor's invoice, which terms shall not be applicable to this Agreement and shall not be considered to be Contractor's exceptions to the provisions of this Agreement.

**Counterparts:** The parties may execute this Agreement by facsimile or other electronic means and in separate counterparts each of which when so executed and delivered shall be an original, and all such counterparts taken together shall constitute one instrument.



## APPENDIX "B"

### RISK MANAGEMENT AND SAFETY

#### A. INDEMNIFICATION AND INSURANCE

##### 1. **Indemnity and Waiver:**

Contractor shall be liable to HRSB for and shall indemnify and save harmless HRSB from and against any and all claims, suits, demands, awards, actions, proceedings, losses, judgments, costs, damages, settlements or expenses (including legal costs on a solicitor and own client basis) suffered or incurred by HRSB that arise out of, result from, are based upon or are in any way connected with this Contract, including without limitation:

- (a) those resulting from any act or omission on the part of Contractor or its employees, agents and subcontractors;
- (b) those resulting from any action, suit or proceeding brought by any third party;
- (c) those brought in respect of personal injury (including injury resulting in death) or damage or destruction of tangible or intangible property, including HRSB's property;
- (d) those made under workers' compensation legislation;
- (e) those legal costs and fines resulting from the failure of Contractor, its employees, agents or subcontractors to comply with any applicable laws, regulations, by-laws, rules or orders of any government, authority or body having jurisdiction, whether identified in this Contract or applicable by-law;
- (f) those resulting from the release, discharge, seepage or other escape of any substance including chemicals, hazardous or toxic materials, substances, pollutants, contaminants or wastes, whether liquid, gaseous or of any other nature or for any breach of any applicable environmental legislation;
- (g) those resulting from any labourers', materialmen's, or mechanics' liens arising from or relating to the performance of the Contract;
- (h) those brought for actual, alleged, direct or contributory infringement of any patent, trademark, copyright, trade secret or other intellectual property right, including breach of obligations of confidentiality; and
- (i) any other claims, expenses, costs, and losses suffered, incurred or sustained by HRSB.

The foregoing liability, indemnification and hold harmless provisions shall apply to anything done or not done in connection with this Contract and by whomsoever made, regardless of whether it was caused by the negligence of Contractor or otherwise.

Contractor shall make no claim or demand against HRSB for any injury (including death), claim, expense, loss or damage to property suffered or sustained by Contractor or any other person which arises out of, or is connected, with this Contract or anything done or not done as required hereunder, or any other errors or omissions of Contractor, and hereby waives as against HRSB all such claims and demands.

The foregoing indemnity and waiver given by Contractor shall not apply to the extent of HRSB's own negligence. The onus of establishing that HRSB was negligent shall be upon Contractor. HRSB shall not be deemed to have caused or contributed thereto merely by reason of its knowledge, approval or acceptance of the materials, drawings,

specifications, supplies, equipment, procedures or services of Contractor.

For the purposes of this Section, any reference to "HRSB" shall include HRSB, together with the employees, directors, officers, superintendents, trustees, representatives and agents of HRSB; and any reference to "Contractor" shall include Contractor's directors, officers, employees, affiliates, representatives, agents and subcontractors.

## 2. Insurance:

Contractor shall, at its own expense, obtain and maintain during the term of this Contract, in a form and with an insurance company satisfactory to HRSB, policies of:

- (a) Commercial General Liability insurance with a limit of not less than Two Million Dollars (\$2,000,000) for any one loss or occurrence and in the aggregate with respect to bodily injury, personal injury and property damage, including loss of use thereof, which policy shall by its wording or by endorsement:
  - (i) include HRSB, its officers, directors, employees, agents and trustees as an additional insured with respect to the obligations assumed by Contractor under this Contract;
  - (ii) provide that, in relation to the interests of each additional insured, the Insurance shall not be invalidated by an action or inaction any other person other than the respective additional insured;
  - (iii) include a "cross liability" clause which shall have the effect of insuring each entity named in the policy as an insured in the same manner and to the same extent as if a separate policy had been issued to each;
  - (iv) extend to cover blanket Contractual liability, including the insurable liabilities assumed by Contractor under this Contract;
  - (v) extend to cover products and completed operations; such products and completed operations coverage, whether by specific policy endorsement respecting the services or by renewal of any annual practice policy, shall be kept in force during the supply of services and for a further period of 24 months following completion of supply of the services;
  - (vi) extend to cover non-owned auto liability coverage; and
  - (vii) not exclude any existing property of HRSB, but shall treat same as "third party property".
- (b) Employer's Liability Coverage which shall not be less than \$5,000,000 for each employee where Workers' Compensation coverage does not exist or the profession/trade has been indicated to be exempted from Workers' Compensation coverage.
- (c) Automobile public liability and property damage insurance in an amount not less than Two Million Dollars (\$2,000,000) all inclusive covering the ownership, use and operation of any motor vehicles and trailers which are owned, leased or controlled by the Contractor and used in connection with this Contract; and
- (d) Property "All Risks" insurance covering Contractor's owned property, including Contractor's equipment, where applicable, and property of others in the care, custody, or control of Contractor or for which the Contractor has assumed liability, all including while in transit or storage, on a replacement cost basis. With respect to any property of HRSB, such policy shall contain a loss payee

clause in favour of HRSB;  
(collectively, the "Insurance").

Contractor shall ensure that the above Insurance policies:

- (a) are endorsed to provide HRSB with not less than thirty (30) days written notice in advance of cancellation, change or amendments restricting coverage;
- (b) do not include a deductible that exceeds such maximum amount that a reasonably prudent business person would consider reasonable; and
- (c) take the form of an occurrence basis policy and not a claims-made policy.

Contractor shall, before any services are performed, provide HRSB with a copy of the certificates of insurance and, if requested by HRSB, the insurance policies evidencing all the coverage stipulated above, and HRSB may withhold payment of any invoice until it receives evidence of such coverage. Failure for any reason to furnish this proof at any time shall be a breach of the contract, allowing the HRSB to terminate the contract or at the HRSB's option, to supply such insurance and charge the cost to Contractor. The HRSB may require Contractor to have the HRSB added as an insured party to the insurance policy and/or require Contractor to furnish a certified copy of the policy for such insurance.

Contractor shall not make or cause to be made any modification, or alteration to the Insurance, nor do or leave anything undone, which may invalidate the Insurance coverage. Contractor shall be responsible for any deductible and excluded loss under the Insurance.

Contractor shall cause all subcontractors performing services to obtain and maintain the Insurance policies required by this Section.

Contractor agrees that the insurance coverage required to be maintained by it under the provisions of this Contract shall in no manner limit or restrict its liabilities under this Contract. HRSB reserves the right to maintain the insurance in good standing at Contractor's expense and to require Contractor to obtain additional insurance where, in HRSB's reasonable opinion, the circumstances so warrant.

## **B. COMPLIANCE WITH LEGISLATION AND REGULATIONS**

### **1. Compliance**

Contractor shall comply with and shall ensure all of its agents, employees and subcontractors comply with all applicable laws and regulations, including all safety, health and environmental requirements pursuant to any government permit, license, or authorization. Contractor shall at its cost obtain all permits and licenses required by any governing authority in order to enable Contractor to provide its goods and services and otherwise perform its obligations under the Contract.

### **2. Labour Code**

Contractor shall comply with all applicable provisions of the *Labour Code* (Nova Scotia) and the *Employment Standards Act* (Nova Scotia) and all regulations and amendments thereto.

### **3. Workers' Compensation Legislation**

Contractor shall comply with the *Worker's Compensation Act* (Nova Scotia) and regulations and amendments thereto, and:

- (a) if any employees perform or assist in the performance of this Contract, the Contractor shall submit, at any time requested by the HRSB, a letter from the Workers' Compensation Board (Nova Scotia) stating that Contractor has an account in good standing with the Worker's Compensation Board;
- (b) the Contractor will make the necessary returns to the Workers' Compensation Board in accordance with government regulations and will pay all fees and contributions required in connection therewith. The cost of compensation will be included in the price payable under the Contract; and
- (c) the Contractor shall submit a clearance from the Workers' Compensation Board that all fees and contributions have been paid before final payment is made by the HRSB under the Contract.

**4. Canada Safety Council and Associated Standards**

All electrical, electronic and gas-fired equipment must bear the required approval markings, being C.S.A. approved for entirely electrical or electronic equipment and C.G.A. or C.S.A. approved for gas fired equipment. All other similar equipment approvals must also be obtained. It shall be the responsibility of the Contractor to obtain all applicable approvals, at its own expense.

**5. Nova Scotia Occupational Health and Safety Legislation**

Contractor shall comply at all times with the Nova Scotia Occupational Health and Safety Act, Regulation and Code, and it's amendments thereto.

**C. SAFETY REQUIREMENTS**

**1. Safety Responsibility**

Contractor shall be solely responsible for ensuring the safety and health of its agents, employees and subcontractors and for ensuring that its activities do not compromise the safety of HRSB's operations. Contractor shall provide to its agents, employees and subcontractors, at its own expense, any and all safety gear required to protect against injuries during the performance of the services and shall ensure that its agents, employees and subcontractors are knowledgeable of and utilize safe practices in the provision of the services, such practices to be at least as stringent as those set out in HRSB's safety standards provided to Contractor from time to time.

**2. Project Site Protection and Safety**

The Contractor shall protect the HRSB's property, staff and students, the Contractor's staff and the public, from damage or injury by providing adequate precautions to make the work site a safe environment at all times. In addition to complying with any safety standards provided to the Contractor by HRSB, the Contractor shall:

- (a) provide all guards and fences and other safety equipment;
- (b) respond to reports of hazards by HRSB;
- (c) do the following when work generating vibration, noise or safety concerns (including without limitation jack hammering, shot blasting, sandblasting, concrete cutting and use of powder actuated fasteners) may affect HRSB property, staff, students or operations.
  - (i) coordinate with HRSB representatives;
  - (ii) schedule and coordinate hours of work with HRSB input; and

- (iii) stop operations generating vibration, noise or safety concerns when instructed by HRSB.
- (d) Contractor responsible to ensure all spaces directly beneath the roof work area are protected from potential damage of dust, debris or water infiltration or any other impact resulting from the roof replacement project. Such protection shall include installation of effective cover using minimum 4 mil plastic vapour barrier sheeting over all furniture, equipment, instruction aids, floors areas and any other items underneath the work space. Contractor must remove all sheeting upon completion of work and will be responsible for costs of restoration of damages caused by process of roof project or lack of adequate protection of property.

### 3. Hazardous Materials

The Contractor shall:

- (a) develop and implement a written "Hazardous Materials Information" document to ensure that all persons at the work site are made aware of the existence of any hazardous materials such as asbestos, lead-based products, and PCB's;

### D. CONTRACTOR EVALUATION

#### 1. Audit

The HRSB reserves the right to audit Contractors and their subcontractor's health and safety performances during the term of the Contract and upon its conclusion.

#### 2. Evaluation

The HRSB reserves the right to evaluate the performance of the Contractor and such evaluation will be based upon accident/injury data and adherence to this Schedule "C", the HRSB health and safety policies, applicable legislation, and periodic inspections and reports from HRSB employees. Information collected as part of such evaluations may be used for future reference.

### E. HRSB REMEDIES FOR CONTRACTOR NON-COMPLIANCE

#### 1. Emergency Work Stoppage

The HRSB has the authority to stop progress of the work whenever, in its opinion, such stoppage is desirable for any safety-related reason. The Contractor hereby agrees that no claim for loss of time or materials may be made with respect to such stoppage unless the claim for the time and materials and their value are certified in writing by the HRSB as allowable.

#### 2. Termination for Non-Compliance

HRSB may terminate this Contract for non-compliance with health, safety, environmental and other applicable legislation and good industry practice on the part of the Contractor or any subcontractor of the Contractor, as constituting a material breach of this Contract. In addition, the HRSB reserves the right to stop the work of the Contractor in the event of Contractor's non-compliance with applicable legislation or good industry practice. Such work stoppages shall not postpone any agreed to completion dates and any additional cost

resulting from such work stoppages shall be borne by the Contractor. Work shall not resume until the Contractor rectifies the reason for non-compliance, to HRSB's satisfaction.

**3. Non-Exclusive Remedies**

Contractor acknowledges and agrees that the foregoing remedies available to HRSB are non-exclusive to, and may be exercised in conjunction with, any other rights or remedies available to HRSB, under the Contract, at law or in equity, in the event of threatened or actual breach of this Contract, including injunctive relief.

**APPENDIX "C"**

**DESCRIPTION OF SERVICES**

- Description of Services to be performed by Contractor**, including any applicable standards of performance:

**Description of Work:**

**As per Tender #      drawings, specifications and scope of work**

- Municipal and Legal Description of the Lands:**

**Location of Work**

- Term:** completion of work by ,

- Invoicing:** Services are to be paid for by HRSB:

- By scheduled progress payments (as agreed by both parties)
- By single invoice upon project completion

- Holdbacks:** In compliance with "Section 13 – Holdbacks" of the *Builder's Lien Act of Nova Scotia (incl. amendments)*, a holdback in the amount of ten percent (10%) of the contract may be held up to ninety (90) days after completion of the work, to the satisfaction of the Board.

- HRSB Project Manager /Contractor Contact Information:**

<p><b>CONTRACTOR INFORMATION</b></p> <p>Name:</p> <p>Jurisdiction of incorporation:</p> <p>Address:</p> <p>Attention:</p> <p>Telephone:</p> <p>Facsimile:</p> <p>E-mail:</p> <p>GST Registration #:</p> <p>WCB Registration #:</p>	<p><b>HRSB INFORMATION</b></p> <p>HRSB Representatives:</p> <p>Name:</p> <p>Department: <b>Operations Services</b></p> <p>Address:     <b>33 Spectacle Lake Drive</b>  <b>Dartmouth, N.S., B3B 1X7</b></p> <p>Telephone:   <b>902 464-2000 Ext.</b></p> <p>Facsimile:    <b>902-</b></p> <p>E-mail:</p>

\_\_\_\_\_                      \_\_\_\_\_  
 Contractor's Initials              HRSB's Initials

**Exhibit A**

**Invitation To Tender**

**PROJECT SPECIFICATIONS/DRAWINGS WERE INCLUDED IN TENDER DOCUMENT AND ARE CONSIDERED PART OF THIS CONTRACT EVEN THOUGH THEY ARE NOT ATTACHED TO THIS DOCUMENT**



**Exhibit B**

**Response to Invitation to Tender**

**A COPY OF THE SUCCESSFUL CONTRACTOR'S BID SUBMISSION IS ON FILE IN  
THE PURCHASING DEPARTMENT - TENDER #3437**

**APPENDIX "D"**

**UNDERTAKING TO COMPLY FORM  
AND CONTRACTOR SAFETY CHECKLIST**

**UNDERTAKING TO COMPLY**

**Name of Contractor:**

**(the "Contractor")**

**Description of Agreement:**

**Site Location:**

**(the "Agreement")**

7. The Contractor hereby undertakes to HRSB:  
to comply with all health, safety and environmental legislation in the performance of this Agreement; and  
to maintain a safe and healthy work environment during the performance of this Agreement.
8. The Contractor hereby agrees with HRSB:  
that compliance with all health, safety and environmental legislation is a condition of this Agreement and that non-compliance with the same may, in HRSB's discretion, lead to the termination of this Agreement; and  
to permit HRSB to audit the Contractor's health, safety and environmental records during the term of this Agreement and upon its conclusion and to cooperate fully with any such audit(s).
9. The Contractor understands that, at HRSB's discretion, any Contractor safety deficiencies will be addressed by HRSB in the following progressive steps:  
the problems will be identified to the Contractor (site supervisor);  
the Contractor's head office will be contacted about the problem, orally and later in writing;  
if required by law to report the problem to a Provincial and or Federal Ministry, HRSB will immediately do so;  
if not required by law to report the problem, and the problem remains unresolved, HRSB may report the problem; and  
the Agreement may, in HRSB's discretion, be suspended or terminated and/or payment withheld by HRSB.

- 10. The Contractor acknowledges and agrees with HRSB that, depending upon the nature and/or seriousness of the deficiency, HRSB reserves the right to bypass any or all of the steps described in Section 3.
- 11. **Prime Contractor Designation:** The Contractor and the HRSB hereby agree that the Contractor shall, pursuant to Section 8.4 of the Agreement shall be the Prime Contractor.

The undersigned hereby confirms that he/she has the authority to bind the Contractor:

**CONTRACTOR**

**HALIFAX REGIONAL  
SCHOOL BOARD**

\_\_\_\_\_  
*FULL COMPANY NAME*

\_\_\_\_\_  
*PRINT NAME*

\_\_\_\_\_  
*AUTHORIZED SIGNATURE*

\_\_\_\_\_  
*POSITION*

\_\_\_\_\_  
*DATE*

\_\_\_\_\_  
*PRINT NAME*

\_\_\_\_\_  
*AUTHORIZED SIGNATURE*

\_\_\_\_\_  
*POSITION*

\_\_\_\_\_  
*DATE*

SAMPLE ONLY

**PRE-CONSTRUCTION MEETING**  
**CONTRACTOR SAFETY CHECKLIST PAGE 1**

<b>MEETING DATE:</b>	<b>TENDER #:</b>
----------------------	------------------

<b>SITE LOCATION:</b>
-----------------------

<b>COMPANY NAME:</b>
----------------------

<b>CONTRACTOR REPRESENTATIVE::</b>
------------------------------------

<b>HRSB REPRESENTATIVE::</b>
------------------------------

<b>√ Means complied to</b>	<b>X Means not complied with</b>	<b>n/a means not applicable</b>
----------------------------	----------------------------------	---------------------------------

- |  |   |  |
|--|---|--|
| <p>1. Notice of Project filed with Nova Scotia Infrastructure (if applicable) <input type="checkbox"/></p> <p>2. Review Board Safety Compliance Undertaking to Comply Form Signed <input type="checkbox"/></p> <p style="padding-left: 20px;">Progressive Disciplinary Action Reviewed <input type="checkbox"/></p> <p>3. Contractor Health and Safety Policy <input type="checkbox"/></p> <p style="padding-left: 20px;">Prime Contractor and Safety Management Certificate <input type="checkbox"/></p> <p>4. Health &amp; Safety Representatives/Joint Site Health &amp; Safety Committee <input type="checkbox"/></p> <p style="padding-left: 20px;">Name and Phone _____</p> <p>5. Personal Protective Equipment:</p> <p style="padding-left: 20px;">Hard Hats <input type="checkbox"/></p> <p style="padding-left: 20px;">Footwear <input type="checkbox"/></p> <p style="padding-left: 20px;">Safety Glasses <input type="checkbox"/></p> | <p>8.</p> <p>9.</p> <p>10.</p> <p>11.</p> | <p>Contractor Staff Training: Emergency Response <input type="checkbox"/></p> <p>WHMIS Training Verification <input type="checkbox"/></p> <p>O H &amp; S <input type="checkbox"/></p> <p>MSDS Received <input type="checkbox"/></p> <p>Scaffold <input type="checkbox"/></p> <p>Confined Space Code of Practice <input type="checkbox"/></p> <p>TDG Training Verification <input type="checkbox"/></p> <p>Working Alone <input type="checkbox"/></p> <p>Review Contractor Signage &amp; Barricades <input type="checkbox"/></p> <p>Written Work Site Hazard Assessment and Control Plan/Schedule Submitted <input type="checkbox"/></p> <p>Building Fire Plan <input type="checkbox"/></p> |
|--|---|--|

SAMPLE ONLY

**CONTRACTOR SAFETY CHECKLIST – PAGE 2**

- |   |                          |   |                          |
|---|--------------------------|---|--------------------------|
| Hearing   | <input type="checkbox"/> | 12. Accident Investigation/Notification/Reporting Procedure | <input type="checkbox"/> |
| Dust & Fumes  | <input type="checkbox"/> |   |                          |
| Face Protection   | <input type="checkbox"/> |   |                          |
| Others: _____   | <input type="checkbox"/> | 13. Contingency Plan for Control & Clean up of a Spill      | <input type="checkbox"/> |
| _____   | <input type="checkbox"/> |   |                          |
| _____   | <input type="checkbox"/> | 14. Fire Protection/Extinguishers                           | <input type="checkbox"/> |
|   |                          |   |                          |
| 6. Equipment Certification  |                          | 15. First Aid Kits on Site                                  | <input type="checkbox"/> |
| Trench Boxes  | <input type="checkbox"/> |   |                          |
|   |                          | 16. First Aiders on Staff                                   | <input type="checkbox"/> |
| Boom Cranes   | <input type="checkbox"/> | Names: _____  |                          |
| Scaffolds   | <input type="checkbox"/> |   |                          |
| Others: _____   | <input type="checkbox"/> | 17. Fall Protection /Safety Harness                         | <input type="checkbox"/> |
| _____   | <input type="checkbox"/> |   |                          |
| _____   | <input type="checkbox"/> | 18. Methane gas Detection in Sewer                          | <input type="checkbox"/> |
|   |                          |   |                          |
| 7. Provision of Hazardous Material Information to Contract                      | <input type="checkbox"/> | 19. Clean Up - Good Housekeeping                            | <input type="checkbox"/> |
| Confirmation of Employee Awareness of Hazardous Material                        | <input type="checkbox"/> |   |                          |
| Asbestos  | <input type="checkbox"/> | 20. Weekly Safety Talks/Meetings                            | <input type="checkbox"/> |
| Lead  | <input type="checkbox"/> |   |                          |
| PCB   |                          |   |                          |
| Confirmation that Prime Contractor reviewed Asbestos Inventory at the work site | <input type="checkbox"/> | 21. Other Issues  | <input type="checkbox"/> |

SAMPLE ONLY



**APPENDIX E**

Project Safety Plan Outline

During the planning of each project, environmental and occupational health and safety issues will be assessed like any other key project component.

Prior to beginning a new project, tendering Contractors shall examine the work area to identify potentially hazardous site specific situations.

Once identified, these hazards should be prioritized on this Hazard Assessments/Project Safety Plan Outline and corrective *actions* noted to eliminate or control each hazard. The dates of when and names of the persons who are responsible for completing the *action* should also be assigned.

Copies of the completed Safety Plan Outline shall be submitted as part of the tender document submittal, sent to the HRSB Operations Services Regional Manager, made available on the job site and communicated to the workers.

---

---

Project Name: \_\_\_\_\_

Project Location: \_\_\_\_\_

Project Start date: \_\_\_\_\_

Project End date: \_\_\_\_\_

Company Name: \_\_\_\_\_

Completed by: \_\_\_\_\_  
(Contractor's project manager)

Date: \_\_\_\_\_

Copy to: \_\_\_\_\_

**PLANNING:**

Does the Contractor's Occupational Health and Safety Program deal with the work activities associated with this project?    Yes                       No

Describe tasks to be undertaken: \_\_\_\_\_  
\_\_\_\_\_  
\_\_\_\_\_  
\_\_\_\_\_

**HAZARDS ASSESSMENT:**

Identify the hazards that could present themselves on this project (e.g. live electrical wires, over water, confined space, etc) and describe what steps will be taken to prevent an incident (e.g. cover up, de-energize, safe work practices, netting, etc). Prioritize from #1 as needing immediate action.

#	Hazard	Required Action	Completed by	Date
1				
2				
3				
4				
5				
6				
7				
8				
9				
10				

**ENVIRONMENTAL ASSESSMENT:**

Identify the environmental issues that could present themselves on this project (e.g. oil spills, asbestos, etc.) and describe the action that will be taken to eliminate or reduce the risk of occurrence (e.g. mop kits, air sampling, etc.)

#	Hazard	Required Action	Completed by	Date
1				
2				
3				
4				
5				

**EMERGENCY RESPONSE:**

In the event of an incident, pre-plan the response and write up the procedures. Minimally, the following list should be completed and posted on site:

Contact	Phone #	Contact	Phone #
Fire	911	Poison Control	428-8161
Ambulance	911	Dangerous Goods	1-800-565-1633
Doctor	911	Waste Disposal	
Police	911	Insurance	
HRSB Office	493-5110	Min/Dept of Labour	1-800-952-2687
Min./Dept.of Transport.		Min/Dept of Environment	1-800-565-1633

- Identify and arrange source of first aid, ambulance and rescue.
- Accidents will be reported to: \_\_\_\_\_
- Accidents will be investigated by: \_\_\_\_\_
- Back-up call to: \_\_\_\_\_
- HRSB # emergency/after hours: day 493-5110 after 4:00 pm 442-2476



**SAFETY MEETINGS:**

On this project, given the nature of the work and the anticipated size of the work force, the following frequency will apply:

Site meetings \_\_\_\_\_

Site Audits \_\_\_\_\_

Follow up with HRSB Manager: \_\_\_\_\_

**SITE IMPLEMENTATION:**

- Health and Safety Rep & Safety Committee:  
Establish liaison between HRSB, Contractor, site administration  
First Aid, PPE, other safety items as required.
  
- Documentation:  
Applicable MSDS  
Safety program  
Applicable work procedures  
Permits  
First Aid Certification

**TRAINING:**

The following training/testing will be mandatory on site:

1) \_\_\_\_\_

\_\_\_\_\_

2) \_\_\_\_\_

\_\_\_\_\_

3) \_\_\_\_\_

\_\_\_\_\_

**TENTATIVE SCHEDULE OF WORK:**

- 1) Date Project Will Commence: \_\_\_\_\_
- 2) Number of Weeks to Complete Project: \_\_\_\_\_ weeks
- 3) Expected Completion Date: \_\_\_\_\_

***NOTE:***

***Within two (2) days of tender award the successful bidder shall provide a schedule clearly indicating timelines for completion of all aspects of the project.***

## **APPENDIX F**

### ***CONTRACTOR'S CHECKLIST***

Enclose the following documents with your bid:

- Bid Security as required in Clause 1.3 (e)*** in the amount of 10% of the Contract Price (before HST).
- Contract Security for bids over \$100,000 as required in Clause 1.3 (f)***.
- Certificate of Insurance*** indicating a minimum of \$2,000,000 **Commercial General Liability Insurance** per occurrence and **Commercial Auto Liability Insurance** covering all owned, non-owned and hired vehicles for a minimum combined single limit of \$2,000,000 per occurrence and **Builder's Risk Insurance** in the amount of the contract price.
- Tentative Work Schedule (Timelines)*** – Subsequently, within five (5) business days of tender award the successful bidder shall provide a schedule clearly indicating timelines for completion of all aspects of the project.
- Workers' Compensation Board Letter*** of Good Standing
- Certificate of Recognition from one of the seven safety audit companies that jointly sign with the WCB:***
  - East Coast Mobile Medical Inc.
  - HSE Integrated
  - Nova Scotia Construction Safety Association
  - Nova Scotia Trucking Safety Association
  - Occupational Health & Educational Services (2002) Inc.
  - Safety Services Nova Scotia
  - Stantec Inc.

This list can be found on WCB's website: [www.wcb.ns.ca](http://www.wcb.ns.ca).
- Completed HRSB Safety Plan***
- Applicable Warranty Information***

00 01 10	List of Contents.....	1
00 01 15	List of Drawings.....	1
<b>DIVISION 31</b>	<b>EARTHWORK</b>	
31 22 13	Demolition, Removals and Rough Grading.....	2
31 23 10	Excavating, Trenching and Backfilling.....	5
<b>DIVISION 32</b>	<b>EXTERIOR IMPROVEMENTS</b>	
32 11 23	Granular Base Course.....	2
32 12 14	Asphalt Prime.....	3
32 12 15	Asphalt Tack Coat.....	2
32 12 16	Asphalt Paving.....	10
32 16 15	Concrete Walks, Curbs and Gutters.....	3
32 17 23	Pavement Marking.....	2

**End of Section**

**ARCHITECTURAL**

- A-1 Site Plan – Prospect Road Elementary School
- A-2 Site Plan – Elizabeth Sutherland School
- A-3 Site Plan – Grosevenor Wentworth Elementary School
- A-4 Site Plan – J.L. Ilsley High School
- A-5 Site Plan – A.J. Smeltzer Jr. High School
- A-6 Site Plan – Harry R. Hamilton Elementary School

**CIVIL**

- C-1 Standard Details

**End of Section**

## PART 1 - GENERAL

### **1.1 RELATED SECTIONS**

1. Section 31 23 10 – Excavating, Trenching and Backfilling.
2. Section 32 11 23 – Granular Base Course.

### **1.2 REFERENCES**

1. American Society for Testing and Materials International (ASTM)
  1. ASTM C127-07, Standard Test Method for Density, Relative Density (Specific Gravity) and Absorption of Coarse Aggregate.
  2. ASTM D698-07e1, Standard Test Methods for Laboratory Compaction Characteristics of Soil Using Standard Effort (12,400 ft-lbf/ft<sup>3</sup> (600 kN-m/m<sup>3</sup>)).

### **1.3 DESCRIPTION OF WORK**

1. To complete demolition, removals and rough grading associated with installation of paving, curbs, sidewalks, catchbasin, pipe and other works.

### **1.4 SITE CONDITIONS**

1. Establish location of all services before commencing work.
2. Make own assessment of sub-surface conditions

### **1.5 PROTECTION**

1. Prevent damage to fencing, landscaping, natural features, bench marks, existing buildings, existing pavement, signage, utility poles, curbs, sidewalks, surface or underground utility lines which are to remain. Make good any damage.
2. Maintain access roads to prevent accumulation of construction related debris on roads.
3. Agree on extent of demolition and removals with HRSB Representative in advance of construction.

## PART 2 - PRODUCTS

### **2.1 MATERIALS**

1. Fill material:
  1. Type 2 granulars.
  2. Type 1 granulars.
  3. Clear stone.
  4. Topsoil.
  5. Selected backfill: common material from site excavation, free from stumps, trees, roots, sod, organics, rocks, boulders, and masonry larger than 150 mm in any dimension, and any other deleterious materials.
2. Obtain the HRSB Representative's approval of excavated or graded material used as fill for grading work. Protect approved material from contamination.

3. All fill material shall be in accordance with Section 31 23 10 – Excavating, Trenching and Backfilling.

### **PART 3 - EXECUTION**

#### **3.1 REMOVAL OF PAVEMENT, CURBS, SIDEWALKS**

1. Demolish, excavate and remove off-site all materials as required to allow construction of new work.

#### **3.2 REMOVAL OF TOPSOIL**

1. Stockpile and cover/protect topsoil for reuse.

#### **3.3 GRADING**

1. Grade to levels allowing for surface treatment as indicated. Blend into and match existing grades. Ensure no ponding or drainage problems.
2. Prior to placing fill over existing ground, scarify surface to depth of 150 mm. Maintain fill and existing surface at approximately same moisture content to facilitate bonding.
3. Compact filled, graded, excavated and disturbed areas to corrected maximum dry density to ASTM D698.
4. All areas within the limits of the contract (i.e. paved areas) shall be proof rolled with 15 passes of a vibratory roller (BW210 or equivalent). The Contractor shall, however, take extreme care to not damage existing underground services. Make good any damage at Contractor's cost.
5. Proof roll sub grade under supervision of the HRSB Representative. Where instructed by the HRSB Representative, excavate areas showing excessive deflection and replace with compacted surge material.

#### **3.4 TESTING**

1. Inspection and testing of soil compaction will be carried out by designated testing laboratory, paid by Owner.

#### **3.5 SURPLUS MATERIAL**

1. Surplus topsoil and backfill material shall not be removed from the site.
2. Remove material unsuitable for fill or grading from site.
3. Dispose of all other demolished material off-site.

**END**

## PART 1 – GENERAL

### **1.1 RELATED SECTIONS**

1. Section 31 22 13 – Demolition, Removals and Rough Grading.
2. Section 32 11 23 – Granular Aggregate Base Courses.

### **1.2 DESCRIPTION OF WORK**

1. The work of this section includes:
  1. Trench for trench drain, pre-cast wall units, catch basin(s) and piping as shown on the drawings.
  2. Excavation to subgrade.

### **1.3 REFERENCES**

1. American Society for Testing and Materials International (ASTM):
  1. ASTM C117-04, Standard Test Method for Material Finer Than 75 um (No. 200) Sieve in Mineral Aggregates by Washing.
  2. ASTM C136-06, Standard Test Method for Sieve Analysis of Fine and Coarse Aggregates.
  3. ASTM D698-07e1, Standard Test Method for Laboratory Compaction Characteristics of Soil Using Standard Effort (12,400 ft/lb<sup>3</sup> 600 kNm/m<sup>3</sup>).

### **1.4 DEFINITIONS**

1. Excavation: excavation of materials of any nature including dense tills, hardpan, boulders, bedrock, debris and all other materials encountered on the site.

### **1.5 PROTECTION OF EXISTING FEATURES**

1. Existing buried utilities and structures:
  1. Obtain a permit to dig prior to any excavation work on site.
  2. Obtain the services of a firm to locate underground utilities around the construction site. Carry out test digs as required to locate services, etc.
  3. Prior to commencing any excavation work, establish location and state of use of buried utilities and structures. Clearly mark such locations to prevent disturbance during work.
  4. Confirm locations of buried utilities by careful test excavations.
  5. Maintain and protect from damage, all utilities and structures encountered. Obtain direction from the HRSB Representative before moving or otherwise disturbing utilities or structures.
  6. Record location of maintained or re-routed underground lines.
2. Existing buildings and surface features:
  1. Conduct, with the HRSB Representative, a condition survey of the existing HRSB building, sheds, trees and other plants, lawns, fencing, service poles, wires, survey bench marks and monuments which may be affected by work.
3. Protect existing buildings and surface features which may be affected by work from damage while work is in progress and repair damage resulting from work.
4. Blasting is not permitted on site.



**1.6 SHORING AND BRACING**

1. Provide shoring and bracing as required to prevent movement, failure or settlement, to safeguard and maintain integrity of structures, utilities, earth, benchmarks, services and adjacent grades.
2. Engage services of qualified Professional Engineer registered in the Province of Nova Scotia to design and inspect shoring and bracing required for work.
3. Design and supporting data provided to bear the stamp and signature of qualified Professional Engineer registered in the Province of Nova Scotia.

**1.7 SAMPLES**

1. Submit samples of materials or gradation curves if requested.
2. At least 1 week prior to commencing work, inform independent testing agency of proposed source of bedding, backfill or cover materials and provide access for sampling.

PART 2 – PRODUCTS

**2.1 MATERIALS**

1. Type 1 gravel (granular base and structural fill), Type 1S gravel (shoulder work), and Type 2 gravel (granular sub-base) shall comply with the minimum requirements as defined in NSTIR’s Specifications. Material gradation shall be as follows:

Sieve Size um	Percent Passing		
	Type 1	Type 1S	Type 2
80,000			100
56,000			70 – 100
28,000			50 – 80
20,000	100	100	
14,000	50 – 8	50 – 90	35 – 65
5,000	20 – 50	30 – 55	20 – 50
160	5 – 12	7 – 20	3 – 10
80	3 – 8	5 – 12	0 – 7

2. Clear stone, to NSTIR Standard Specification.

PART 3 – EXECUTION

**3.1 SITE PREPARATION**

1. Remove obstructions from surfaces to be excavated within limits indicated.

**3.2 STRIPPING OF TOPSOIL**

1. Stripping of topsoil as specified in Section 31 22 13.

**3.3 STOCKPILING**

1. Stockpile fill materials in areas designated by the HRSB Representative. Stockpile granular materials in manner to prevent segregation.

2. Protect fill materials from contamination.

### **3.4 SHORING AND BRACING**

1. Construct temporary works to depths, heights and locations as indicated or directed by the Professional Engineer responsible for the design of the shoring or bracing.
2. During backfill operation:
  1. Unless otherwise indicated or as directed by the HRSB Representative, remove shoring and bracing from excavations.
  2. Do not remove shoring or bracing until backfilling has reached that specified by the Professional Engineer responsible for the design of the shoring or bracing.
3. Upon completion of substructure construction:
  1. Remove shoring and bracing.
  2. Remove excess materials from site and restore conditions indicated or as directed by the HRSB Representative.

### **3.5 DEWATERING**

1. Keep excavations free of water while work is in progress.
2. Protect open excavations against flooding and damage due to surface run off.
3. Dispose of water in a manner not detrimental to public and private property, or any portion of work completed or under construction.

### **3.6 EXCAVATION**

1. Carry out excavations and removals. Excavate to lines, grades, elevations and dimensions as required.
2. Remove rubble and other obstructions encountered during excavation.
3. For trench excavation, unless otherwise authorized by the HRSB Representative in writing, do not excavate more than 30 m of trench in advance of installation operations and do not leave open more than 15 m at end of days operation.
4. Dispose of surplus and unsuitable excavated material off site in accordance with NSDEL regulations.
5. Do not obstruct flow of surface drainage.
6. Earth bottoms of excavations to be solid undisturbed soil, level, free from loose, soft or organic matter.
7. Notify the HRSB Representative when soil at bottom of excavation appears unsuitable and proceed as directed by the HRSB Representative.
8. Obtain the HRSB Representative's approval of completed excavation.
9. Remove unsuitable material to extent and depth as directed by the HRSB Representative.

10. Where required due to unauthorized over excavation, correct with Type 2 fill compacted to 100% Standard Proctor Dry Density.
11. Hand trim, make firm and remove loose material and debris from excavations. Where the material at the bottom of the excavation is disturbed, compact the foundation soil to at least the same density of the undisturbed soil.

### **3.7 FILL TYPES AND COMPACTION**

1. Use fill of types as indicated or specified on the drawings. Compaction densities are percentages of maximum densities obtained from ASTM D698.
2. Backfill all areas to be paved as follows:
  1. Compact top 6" of sub-grade to 100% Maximum Dry Density.
  2. Compact Type 2, and Type 1 gravels to 98% Maximum Dry Density.

### **3.8 BACKFILLING**

1. Do not proceed with backfilling operations until the HRSB Representative has given approval.
2. Areas to be backfilled to be free from debris, water and unsuitable material.
3. Do not use backfill material which contains debris.
4. Backfilling around installations.
  1. Place bedding and surround material as specified elsewhere.
  2. Do not backfill around or over cast-in-place concrete within 24 hours after placing of concrete.
  3. Place layers simultaneously on both sides of installed work to equalize loading. The difference shall not exceed 10".
  4. Where earth pressures are liable to develop, permit concrete to cure for minimum 7 days to withstand earth and compaction pressures. Do not install earth or backfill until concrete has cured completely.
  5. Place backfill materials of earth fill around the structure in uniform layers not exceeding 8" (compacted) thickness up to finish grade. Compact each layer replacing succeeded layer.

### **3.9 INSPECTION AND TESTING**

1. The Contractor shall submit gradation curves for proposed materials to demonstrate compliance with specifications. Pay all costs for gradation curves.
2. Testing of materials and compaction will be carried out by testing laboratory designated by the HRSB Representative. Frequency of tests will be determined by the HRSB Representative.
3. The Owner will pay costs for initial inspection and testing.
4. Where tests or inspections by the designated testing laboratory reveal that work is not in accordance with contract requirements, the Contractor shall pay costs for additional tests or inspections as the HRSB Representative may require to verify the acceptability of the corrected work.

### **3.10 RESTORATION**

1. Upon completion of work, remove surplus materials and debris, trim slopes, and correct defects noted by the HRSB Representative.
2. Clean and reinstate areas affected by work as directed by the HRSB Representative.

**END**

## PART 1 – GENERAL

### **1.1 RELATED SECTIONS**

1. Section 31 23 10 – Excavation, Trenching and Backfilling.

### **1.2 REFERENCES**

1. American Society for Testing and Materials International (ASTM):
  1. ASTM C117-04, Standard Test Method for Material Finer Than 75 um (No. 200) Sieve in Mineral Aggregates by Washing.
  2. ASTM C131-06, Standard Test Method for Resistance to Degradation of Small Size Coarse Aggregate by Abrasion and Impact in the Los Angeles Machine.
  3. ASTM C136-06, Standard Test Method for Sieve Analysis of Fine and Coarse Aggregates.
  4. ASTM D1557-09, Standard Test Methods for Laboratory compaction characteristics of soil Using Modified Effort (56,000 ft-lb/ft<sup>3</sup> (2,700 kN-m/m<sup>3</sup>)).
  5. ASTM D1883-07e2 Standard Test Method for CBR (California Bearing Ratio) of Laboratory Compacted Soils.
  6. ASTM D4318-10, Standard Test Method for Liquid Limit, Plastic Limit and Plasticity Index of Soils.
2. Canadian General Standards Board (CGSB):
  1. CAN/CGSB 8.2-M88, Sieves, Testing, Woven Wire, Metric.
3. Nova Scotia Department of Transportation and Infrastructure Renewal (NSTIR) Standard Specifications for Highway Construction and Maintenance.

## PART 2 - PRODUCTS

### **2.1 MATERIALS**

1. Granular base: material to Section 31 05 17 – Aggregate Materials and the following requirements:
  - .1 Gradations to be within limits specified when tested to ASTM C136 and ASTM C117. Sieve sizes to CAN/CGSB 8.2.
  - .2 Type 1 and Type 2 gravel gradation to NSTIR specifications
  - .3 Liquid Limit: to ASTM D4318, Maximum 25
  - .4 Plasticity Index: to ASTM D4318, Maximum 6
  - .5 Los Angeles degradation: to ASTM C131. Max. % loss by weight: 45
  - .6 Soaked CBR: to ASTM D1883, Min 100, when compacted to 100% of ASTM D1557.
2. Submit gradation curves and samples to HRSB Representative. Contractor to pay costs for gradation curves.

## PART 3 - EXECUTION

### **3.1 INSPECTION OF UNDERLYING SUB-GRADE**

1. Place granular base after sub-grade surface has been proofrolled and is inspected and approved by the HRSB Representative.

### **3.2 PLACING**

1. Construct granular base to depth and grade in areas indicated.
2. Ensure no frozen material is placed.
3. Place material only on clean unfrozen surface, free from snow and ice.
4. Place material using methods which do not lead to segregation or degradation of aggregate.
5. Place material to full thickness indicated on the drawings in uniform layers not exceeding 8" (compacted) thickness.
6. Shape each layer to smooth contour and compact to specified density before succeeding layer is placed.
7. Remove and replace that portion of layer in which material becomes segregated during spreading.

### **3.3 COMPACTION EQUIPMENT**

1. Compaction equipment must be capable of obtaining required densities in materials on project.

### **3.4 COMPACTING**

1. Compact to density not less than 98% maximum dry density in accordance with ASTM D1557.
2. Shape and roll alternately to obtain smooth, even and uniformly compacted base.
3. Apply water as necessary during compacting to obtain specified density.
4. In areas not accessible to rolling equipment, compact to specified density with mechanical tampers approved by the HRSB Representative.

### **3.5 FINISH TOLERANCES**

1. Finished base surface to be within plus or minus 3/8" of established grade and cross section but not uniformly high or low.
2. Correct surface irregularities by loosening and adding or removing material until surface is within specified tolerance.
3. Ensure drainage flows toward catchbasins and/or drainage features and that water does not pond. If ponding occurs, neatly cut out areas that pond and replace with new gravels at Contractor's cost.

### **3.6 MAINTENANCE**

1. Maintain finished base in condition conforming to this applied section until succeeding material is constructed or until granular base is accepted by the HRSB Representative.

**END**

## PART 1 - GENERAL

### **1.1 RELATED WORK**

1. Section 32 11 23 – Granular Base Course.
2. Section 32 12 16 – Asphalt Paving.

### **1.2 REFERENCES**

1. American Society for Testing and Materials International (ASTM):
  1. ASTM D140-09, Standard Practice for Sampling Bituminous Materials.
2. Canadian General Standards Board (CGSB):
  1. CAN/CGSB 16.1-M89, Cutback Asphalts for Road Purposes.
3. Nova Scotia Department of Transportation and Infrastructure Renewal (NSTIR) Standard Specifications for Highway Construction and Maintenance.

### **1.3 SAMPLES**

1. Submit samples, Product Data and MSDS sheets if requested by the HRSB representative.
2. Submit, in plastic containers, to the HRSB Representative, two - 4 L samples of asphalt prime proposed for use at least 1 week prior to commencing paving work.
3. Provide access on tank truck for the HRSB Representative to sample asphalt material to be incorporated into work, in accordance with ASTM D140.

### **1.4 ASPHALT MATERIAL CERTIFICATION**

1. Upon request from the HRSB Representative, submit manufacturer's test data and certification that asphalt prime material meets the requirements of this section.

## PART 2 - PRODUCTS

### **2.1 MATERIAL**

1. Asphalt material: to CAN/CGSB 16.1 grade MC-70.
2. Sand blotter: clean granular material passing 4.75 mm sieve and free from organic matter or other deleterious materials.
3. Water: Clean, potable, free from foreign matter.

## PART 3 - EXECUTION

### **3.1 EQUIPMENT**

1. Pressure distributor to be:
  1. Designed, equipped, maintained and operated so that the asphalt material:
    1. Is maintained at even temperature.
    2. May be applied uniformly on variable widths of surface up to 6 m.
    3. May be applied at controlled rates 1.0 L/m<sup>2</sup> with uniform pressure, and with an allowable variation from any specified rate not exceeding 0.1 L/m<sup>2</sup>.
  2. Capable of distributing asphalt material in uniform spray without atomization at temperature required.
  3. Equipped with meter registering metres of travel per minute visibly located to enable truck driver to maintain constant speed required for application at specified rate.
  4. Equipped with pump having flow meter graduated in units of 5 L or less per minute passing through nozzles and readily visible to operator. Pump power unit to be independent of truck power unit.
  5. Equipped with easily read, accurate and sensitive device which registers temperature of liquid in reservoir.
  6. Equipped with accurate volume measuring device or calibrated tank.
  7. Equipped with nozzles of same make and dimensions, adjustable for fan width and orientation.

### **3.2 APPLICATION**

1. Obtain the HRSB Representative's approval of granular base surface before applying asphalt prime.
2. Cutback asphalt:
  1. Heat asphalt prime to 60°C to 70°C for pumping and spraying.
  2. Apply asphalt prime to granular base at rate directed by the HRSB Representative at approximately 1 L/m<sup>2</sup> but do not exceed 2 L/m<sup>2</sup>.
  3. Apply on dry surface unless otherwise directed by the HRSB Representative.
3. Apply asphalt prime only on unfrozen surface.
4. Do not apply prime when air temperature is less than 10°C or when rain is forecast within 2 hours of application.
5. Paint contact surfaces of curbs, gutters, etc., with a thin, uniform coat of asphalt prime material.
6. Where traffic is to be maintained, treat no more than one-half width of surface in one application.
7. Prevent overlap at junction of applications.
8. Do not prime surfaces that will be visible when paving is complete.
9. Apply additional material to areas not sufficiently covered as directed by the HRSB Representative.



10. Keep traffic off of primed areas until asphalt prime has set.
11. Permit prime to set before placing asphalt paving.

### **3.3 USE OF SAND BLOTTER**

1. If asphalt prime fails to penetrate within 24 hours, spread sand blotter material in amounts required to absorb excess material.
2. Allow sufficient time for excess prime to be absorbed as directed by the HRSBIR Representative.
3. Apply a second application of sand blotter as required.
4. Sweep and remove excess blotter material.

**END**

## PART 1 - GENERAL

### **1.1 RELATED WORK**

1. Section 32 11 23 – Granular Base Course.
2. Section 32 12 16 – Asphalt Paving.

### **1.2 REFERENCES**

1. American Society for Testing and Materials International (ASTM):
  1. ASTM D140-09, Standard Practice for Sampling Bituminous Materials.
2. Canadian General Standards Board (CGSB):
  1. CAN/CGSB 16.2-M89, Emulsified Asphalts, Anionic Type, for Road Purposes.
3. Nova Scotia Department of Transportation and Infrastructure Renewal (HRSB) Standard Specifications for Highway Construction and Maintenance.

### **1.3 SAMPLES**

1. Upon request, submit samples, Product Data and MSDS sheets.
2. Submit, in plastic containers, to the HRSB Representative, two - 4 L samples of asphalt tack coat proposed for use at least 1 week prior to commencing work.
3. Provide access on tank truck for the HRSB Representative to sample asphalt material to be incorporated into work, in accordance with ASTM D140.

### **1.4 ASPHALT MATERIAL CERTIFICATION**

1. Upon request from the HRSB Representative, submit manufacturer's test data and certification that asphalt tack coat material meets the requirements of this section.

## PART 2 - PRODUCTS

### **2.1 MATERIAL**

1. Asphalt material: to CAN/CGSB 16.2 grade SS-1.
2. Water: Clean, potable, free from foreign matter.

## PART 3 - EXECUTION

### **3.1 EQUIPMENT**

1. Pressure distributor to be:
  1. Designed, equipped, maintained and operated so that the asphalt material:
    1. Is maintained at even temperature.
    2. May be applied uniformly on variable widths of surface up to 6 m.
    3. May be applied at controlled rates 1.0 L/m<sup>2</sup> with uniform pressure, and with an allowable variation from any specified rate not exceeding 0.1 L/m<sup>2</sup>.
  2. Capable of distributing asphalt material in uniform spray without atomization at temperature required.

3. Equipped with meter registering metres of travel per minute visibly located to enable truck driver to maintain constant speed required for application at specified rate.
4. Equipped with pump having flow meter graduated in units of 5 L or less per minute passing through nozzles and readily visible to operator. Pump power unit to be independent of truck power unit.
5. Equipped with easily read, accurate and sensitive device which registers temperature of liquid in reservoir.
6. Equipped with accurate volume measuring device or calibrated tank.
7. Equipped with nozzles of same make and dimensions, adjustable for fan width and orientation.

### 3.2 APPLICATION

1. Obtain the HRSB Representative's approval of granular base surface before applying asphalt tack coat.
2. Apply asphalt tack coat only on clean and dry surface.
3. Dilute asphalt emulsion with water at 1:1 ratio for application.
  1. Mix thoroughly by pumping or other method approved by the HRSB Representative.
4. Apply asphalt tack coat evenly to pavement surface at rate as directed by the HRSB Representative at approximately 0.5 L/m<sup>2</sup> but do not exceed 0.7 L/m<sup>2</sup>.
5. Paint contact surfaces of curbs, gutters, etc., with a thin, uniform coat of asphalt tack coat material.
6. Do not apply asphalt tack coat when air temperature is less than 10°C or when rain is forecast within 2 hours of application.
7. Apply asphalt tack coat only on unfrozen surface.
8. Evenly distribute localized excessive deposits of tack coat by brooming as directed by the HRSB Representative.
9. Where traffic is to be maintained, treat no more than one-half width of surface in one application.
10. Keep traffic off of tacked areas until asphalt tack coat has set.
11. Re-tack contaminated or disturbed areas as directed by the HRSB Representative.
12. Permit tack coat to set before placing asphalt pavement.
13. Do not apply a tack coat to surfaces that will be visible when paving is complete.

**END**

## PART 1 - GENERAL

### **1.1 RELATED WORK**

1. Section 32 11 23 – Granular Base Course.
2. Section 32 12 14 – Asphalt Prime.
3. Section 32 12 15 – Asphalt Tack Coat.
4. Section 32 16 15 – Concrete Walks, Curbs and Gutters.
5. Section 32 17 23 – Pavement Marking.

### **1.2 REFERENCES**

1. American Society for Testing and Materials International (ASTM):
  1. ASTM C88-05, Standard Test Method for Soundness of Aggregates by Use of Sodium Sulphate or Magnesium Sulphate.
  2. ASTM C117-04, Standard Test Method for Material Finer Than 75 um (No. 200) Sieve in Mineral Aggregates by Washing.
  3. ASTM C123-04, Standard Test Method for Lightweight Particles in Aggregate.
  4. ASTM C127-07, Standard Test Method for Density, Relative Density (Specific Gravity) and Absorption of Coarse Aggregate.
  5. ASTM C128-07a, Standard Test Method for Density, Relative Density (Specific Gravity) and Absorption of Fine Aggregate.
  6. ASTM C131-06, Standard Test Method for Resistance to Degradation of Small Size Coarse Aggregate by Abrasion and Impact in the Los Angeles Machine.
  7. ASTM C136-06, Standard Test Method for Sieve Analysis of Fine and Coarse Aggregates.
  8. ASTM D995-95b(2002), Standard Specification for Mixing Plants for Hot-Mixed, Hot-Laid Bituminous Paving Mixtures.
  9. ASTM D2419-09, Standard Test Method for Sand Equivalent Value of Soils and Fine Aggregate.
  10. ASTM D3203-05, Standard Test Method for Percent Air Voids in Compacted Dense and Open Bituminous Paving Mixtures.
  11. ASTM D4791-10, Standard Test Method for Flat Particles, Elongated Particles, or Flat and Elongated Particles in Coarse Aggregate.
2. Canadian General Standards Board (CGSB):
  1. CAN/CGSB 8.2-M88, Sieves, Testing, Woven Wire, Metric.
  2. CAN/CGSB 16.3-M90, Asphalt Cements for Road Purposes.
3. American Association of State Highway and Transportation Officials (AASHTO):
  1. AASHTO T245-97, Standard Method of Test for Resistance to Plastic Flow of Bituminous Mixtures Using Marshall Apparatus.
4. Asphalt Institute:
  1. MS-2-97, Mix Design Methods.
5. Nova Scotia Department of Transportation and Infrastructure Renewal (HRSB) Standard Specifications for Highway Construction and Maintenance.

### **1.3 SAMPLES**

1. Submit gradation curves, samples, product data sheets and MSDS sheets. Contractor to pay costs for gradation curves.
2. Inform the HRSB Representative of proposed source of aggregates and provide access for sampling at least 1 week prior to commencing work.
3. Submit samples of following materials proposed for use at least 1 week prior to commencing work:
  1. One 5 L container of asphalt cement.

### **1.4 MATERIAL CERTIFICATION**

1. Submit viscosity-temperature chart for asphalt cement to be supplied showing either Saybolt Furol viscosity in seconds or Kinematic Viscosity in centistokes, temperature range 105°C to 175°C at least 4 weeks prior to commencing work.
2. Submit manufacturer's test data and certification that asphalt cement meets requirements of this section.

### **1.5 SUBMISSION OF MIX DESIGN**

1. Submit asphalt concrete mix design and trial mix test results to the HRSB Representative for review at least 4 weeks prior to commencing work. Contractor to pay costs for mix design and trial mix.

### **1.6 DELIVERY AND STORAGE**

1. Deliver and stockpile minimum 50% of total amount of aggregate required before commencing asphalt mixing operation.
2. When necessary to blend aggregates from one or more sources to produce required gradation, do not blend in stockpiles.
3. Stockpile fine aggregate separately from coarse aggregate, although separate stockpiles for more than two mix components are permitted.
4. Provide approved storage, heating tanks and pumping facilities for asphalt cement.

## **PART 2 - PRODUCTS**

### **2.1 MATERIALS**

1. Asphalt cement: to CAN/CGSB-16.3, grade: 80/100

2. Aggregates: to Section 31 05 17 – Aggregate Materials and the following requirements:
1. Gradations to be within limits specified when tested to ASTM C136 and ASTM C117. Sieve sizes to CAN/CGSB 8.2.

<u>Sieve Designation, µm</u>	<u>% Passing</u>
28 000	100
20 000	95 - 100
10 000	60 - 80
5 000	35 - 65
2 500	20 - 50
315	3 - 20
80	2 - 8

2. Coarse aggregate is aggregate retained on 4.75 mm sieve and fine aggregate is aggregate passing 4.75 mm sieve when tested to ASTM C136.
3. When dryer drum plant or plant without hot screening is used, process fine aggregate through 4.75 mm sieve and stockpile separately from coarse aggregate.
4. Separate stockpiles for coarse and fine aggregates are not required for sheet asphalt.
5. Do not use aggregates having known polishing characteristics in mixes for surface courses.
6. Sand equivalent: to ASTM D2419. Min: 50
7. Crushed fragments: material to be divided into ranges using the methods outlined in ASTM C136. At least 60% of particles by mass must be within each of the following sieve designation ranges and are to have at least one freshly fractured face:

<u>Passing</u>	<u>Retained on</u>
25 mm	12.5 mm
12.5 mm	4.75 mm

8. Regardless of compliance with specified physical requirements, fine aggregates may be accepted or rejected on basis of past field performance.
3. Mineral filler:
1. Finely ground particles of limestone, hydrated lime, Portland cement or other approved non-plastic mineral matter, thoroughly dry and free from lumps.
  2. Add mineral filler when necessary to meet job mix aggregate gradation or as directed to improve mix properties.
  3. Mineral filler to be dry and free flowing when added to aggregate.

## 2.2 MIX DESIGN

1. Job mix formula to be approved by the HRSB Representative. Base course to be Type B, finish course to be Type C, mix to NSTIR specifications.
2. Design of mix: by Marshall Method to requirements below:
  1. Compaction blows on each face of test specimens: 50

2. Mix physical requirements:

Property	Requirement
Marshall Stability at 60°C (kN min)	8.0
Flow Value (mm)	2-4
Air Voids in Mixture (%)	2-6
Voids in Mineral Aggregate, (% minimum)	13
Index of Retained Stability (% minimum)	75

3. Measure physical requirements as follows.

1. Marshall load and flow value to AASHTO T245.
2. Air voids: to ASTM D3203.
3. Voids in mineral aggregates: to Asphalt Institute MS-2, Chapter 4.
4. Do not change job-mix without prior approval of the HRSB Representative. Should change in material source be proposed, the new mix formula shall be reviewed by the HRSB Representative.
5. Return plant dust collected during processing to mix in quantities acceptable to the HRSB Representative.

### PART 3 - EXECUTION

#### **3.1 PLANT AND MIXING REQUIREMENTS**

1. Batch and continuous mixing plants:
  1. To ASTM D995.
  2. Feed aggregates from individual stockpiles through separate bins to cold elevator feeders. Do not load frozen materials into bins.
  3. Feed cold aggregates to plant in proportions that will ensure continuous operations.
  4. Calibrate bin gate openings and conveyor speeds to ensure mix proportions are achieved.
  5. Before mixing, dry aggregates shall have a moisture content not greater than 1% by mass or to a lesser moisture content if required to meet mix design requirements.
  6. Immediately after drying, screen aggregates into hot storage bins in sizes to permit recombining into gradation meeting job-mix requirements.
  7. Store hot screened aggregates in a manner to minimize segregation and temperature loss.
  8. Heat asphalt cement and aggregate to mixing temperature directed by the HRSB Representative. Do not heat asphalt cement above 160°C.

9. Make available current asphalt cement viscosity data at plant. With information relative to viscosity of asphalt being used, the HRSB Representative will direct temperature of completed mix at plant and at paver after considering hauling and placing conditions.
  10. Maintain temperature of materials within plus or minus 5°C of specified mix temperature during mixing.
  11. Mixing time:
    1. In batch plants, both dry and wet mixing times as directed by the HRSB Representative. Continue wet mixing as long as necessary to obtain a thoroughly blended mix but not less than 30 seconds or more than 75 seconds.
    2. In continuous mixing plants, mixing time as directed by the HRSB Representative but not less than 45 seconds.
    3. Do not alter mixing time unless directed by the HRSB Representative.
2. Dryer drum mixing plant:
1. Load aggregates from individual stockpiles to separate cold feed bins. Do not load frozen materials into bins.
  2. Feed aggregates to burner end of dryer drum by means of a multi-bin cold feed unit and blend to meet job-mix requirements by adjustments of variable speed feed belts and gates on each bin.
  3. Meter total flow of aggregate by an electronic weigh belt system with an indicator that can be monitored by plant operator and which is interlocked with asphalt pump so that proportions of aggregate and asphalt entering mixer remain constant.
  4. Provide for easy calibration of weighing systems for aggregates without having material enter mixer.
  5. Calibrate bin gate openings and conveyor speeds to ensure mix proportions are achieved. Calibrate weigh bridge on charging conveyor by weighing amount of aggregate passing over weigh bridge in set amount of time. Difference between this value and amount shown by plant computer system to differ by not more than plus or minus 2%.
  6. Make provision for conveniently sampling the full flow of materials from the cold feed.
  7. Provide screens or other suitable devices to reject oversize particles or lumps of from cold feed prior to aggregate entering drum.
  8. Provide a system interlock which will stop all feed components if either asphalt or aggregate from any bin stops flowing.
  9. Accomplish heating and mixing of asphalt mix in an approved parallel flow dryer-mixer in which aggregate enters drum at burner end and travels parallel to flame and exhaust gas stream. Control heating to prevent fracture of aggregate or excessive oxidation of asphalt. Equip system with automatic burner controls and provide for continuous temperature sensing of asphalt mixture at discharge, with a printing recorder that can be monitored by plant operator. Submit printed record of mix temperatures at end of each week.
  10. Mixing period and temperature to produce a uniform mixture in which particles are thoroughly coated, and moisture content of material as it leaves mixer to be less than 2%.
3. Temporary storage of hot mix:
1. Provide mix storage of sufficient capacity to permit continuous operation and designed to prevent segregation.
  2. Do not store asphalt mix in storage bins in excess of 3 hours.



4. While producing asphalt mix for this project, do not produce mix for other users unless separate storage and pumping facilities are provided for materials supplied to this project.
5. Mixing tolerances:
  1. Permissible variation in aggregate gradation from job mix (percent of total mass):

<u>Sieve Size</u>	<u>Allowable Variation, %</u>
4.75 mm sieve and larger	5.0
2.00 mm sieve	4.0
0.425 mm sieve	3.0
0.180 mm sieve	2.0
0.075 mm sieve	0.5
  2. Permissible variation of asphalt cement from job mix: 0.25%.
  3. Permissible variation of mix temperature at discharge from plant: 5°C.

### 3.2 EQUIPMENT

1. Pavers: mechanical grade controlled self-powered pavers capable of spreading mix within specified tolerances, true to line, grade and crown indicated.
2. Rollers: sufficient number of rollers of type and weight to obtain specified density of compacted mix.
3. Vibratory rollers:
  1. Minimum drum diameter: 48".
4. Haul trucks: of adequate size, speed and condition to ensure orderly and continuous operation and as follows:
  1. Boxes with tight metal bottoms.
  2. Covers of sufficient size and weight to completely cover and protect asphalt mix when truck fully loaded.
  3. In cool weather or for long hauls, insulate entire contact area of each truck box.
  4. Use only trucks which can be weighed in a single operation on scales supplied.
5. Hand tools:
  1. Lutes or rakes with covered teeth for spreading and finishing operations.
  2. Tamping irons having mass not less than 12 kg and a bearing area not Exceeding 310 cm<sup>2</sup> for compacting material along curbs, gutters and other structures inaccessible to roller. Mechanical compaction equipment, when approved by the HRSB Representative, may be used instead of tamping irons.
  3. Straight edges, 4.5 m in length, to test finished surface.

### 3.3 PREPARATION

1. Apply prime coat in accordance with Section 32 12 14 – Asphalt Prime.
2. Sawcut and apply TOK Tape to edges of existing asphalt.
3. Tack coat edges of existing or areas where new asphalt is to abut to.
4. Prior to laying mix, clean surfaces of loose and foreign material.

### 3.4 TRANSPORTATION

1. Transport mix to job site in vehicles cleaned of foreign material.
2. Paint or spray truck beds with limewater, soap or detergent solution, or non petroleum based commercial product, at least once a day or as required. Elevate truck bed and thoroughly drain. No excess solution will be permitted.
3. Schedule delivery of material for placing in daylight, unless the HRSB Representative approves artificial light.
4. Deposit mix from surge or storage silo to trucks in multiple drops to reduce segregation. Do not dribble mix into trucks.
5. Deliver material to paver at a uniform rate and in an amount within capacity of paving and compacting equipment.
6. Deliver loads continuously in covered vehicles and immediately spread and compact. Deliver and place mixes at temperature within range as directed by the HRSB Representative but not less than 135°C.

### 3.5 PLACING

1. Obtain the HRSB Representative's approval of prime coat prior to placing asphalt.
2. Place asphalt concrete to thicknesses, grades and lines as indicated or as directed by the HRSB Representative.
3. Placing conditions:
  1. Place asphalt mixtures only when air temperature is above 5°C.
  2. When temperature of surface on which material is to be placed falls below 10°C, provide extra rollers as necessary to obtain required compaction before cooling.
  3. Do not place hot-mix asphalt when pools of standing water exist on surface to be paved, during rain, or when surface is damp.
4. Overlap joints by not less than 12".
5. Spread and strike off mixture with self propelled mechanical finisher.
  1. Construct longitudinal joints and edges true to line markings. Contractor to establish lines for paver to follow parallel to centerline of proposed pavement. Position and operate paver to follow established line closely.
  2. When using pavers in echelon, have first paver follow marks or lines, and second paver follow edge of material placed by first paver. Work pavers as close together as possible and in no case permit them to be more than 100 ft apart.
  3. Maintain constant head of mix in auger chamber of paver during placing.
  4. If segregation occurs, immediately suspend spreading operation until cause is determined and corrected.
  5. Correct irregularities in alignment left by paver by trimming directly behind machine.
  6. Correct irregularities in surface of pavement course directly behind paver. Remove by shovel or lute excess material forming high spots. Fill and smooth indented areas with hot mix. Do not broadcast material over such areas.

7. Do not throw surplus material on freshly screeded surfaces.
6. When hand spreading is used:
  1. Approved wood or steel forms, rigidly supported to assure correct grade and cross section, may be used. Use measuring blocks and intermediate strips to aid in obtaining required cross-section.
  2. Distribute material uniformly. Do not broadcast material.
  3. During spreading operation, thoroughly loosen and uniformly distribute material by lutes or covered rakes. Reject material that has formed into lumps and does not break down readily.
  4. After placing and before rolling, check surface with templates and straight edges and correct irregularities.
  5. Provide heating equipment to keep hand tools free from asphalt. Avoid high temperatures which may burn material.
  6. Do not use tools at a higher temperature than temperature of mix being placed.

### 3.6 COMPACTING

1. Do not change rolling pattern unless mix changes or lift thickness changes. Change rolling pattern only as directed by the HRSB Representative.
2. Roll asphalt continuously to density not less than 98% of 50 blow Marshall density in accordance with AASHTO T245.
3. General:
  1. Provide at least two rollers and as many additional rollers as necessary to achieve specified pavement density. When more than two rollers are required, one roller must be pneumatic tired type.
  2. Start rolling operations as soon as placed mix can bear weight of roller without undue displacement of material or cracking of surface.
  3. Operate roller slowly initially to avoid displacement of material. Do not exceed 5 km/h for breakdown and intermediate rolling for static steel-wheeled and pneumatic tired rollers. Do not exceed 9 km/h for finish rolling.
  4. For lifts 50 mm thick and greater, adjust speed and vibration frequency of vibratory rollers to produce minimum of 25 impacts per metre of travel. For lifts less than 50 mm thick, impact spacing should not exceed compacted lift thickness.
  5. Overlap successive passes of roller by minimum of 8" and vary pass lengths.
  6. Keep wheels of roller slightly moistened with water to prevent pick-up of material but do not over-water.
  7. Do not stop vibratory rollers on pavement that is being compacted with vibratory mechanism operating.
  8. Do not permit heavy equipment or rollers to stand on finished surface before it has been compacted and has thoroughly cooled.
  9. After transverse and longitudinal joints and outside edge have been compacted, start rolling longitudinally at low side and progress to high side. Ensure that all points across width of pavement receive essentially equal numbers of passes of compactors.
  10. When paving in echelon, leave unrolled 50 to 75 mm of edge which second paver is following and roll when joint between lanes is rolled.
  11. Where rolling causes displacement of material, loosen affected areas at once with lutes or shovels and restore to original grade of loose material before re-

rolling.

4. Breakdown rolling:
  1. Commence breakdown rolling with vibratory roller immediately following rolling of transverse and longitudinal joint and edges.
  2. Operate rollers as close to paver as necessary to obtain adequate density without causing undue displacement.
  3. Operate breakdown roller with drive roll or wheel nearest finishing machine. Exceptions may be made when working on steep slopes or super-elevated sections.
  4. Use only experienced roller operators for this work.
5. Finish rolling:
  1. Accomplish finish rolling with two-axle or three-axle tandem steel wheeled rollers while material is still warm enough for removal of roller marks. If necessary to obtain the desired surface finish, the HRSB Representative may specify use of pneumatic-tired rollers.
  2. Conduct rolling operations in close sequence.

### 3.7 JOINTS

1. General:
  1. Remove surplus material from surface of previously laid strip. Do not deposit on surface of freshly laid strip.
  2. Sawcut and apply TOK Tape to edge of existing asphalt.
  3. Paint contact surfaces of existing structures such as manholes, curbs or gutters with bituminous material prior to placing adjacent pavement.
2. Transverse joints:
  1. Offset transverse joint in succeeding lifts by at least 600 mm.
  2. Cut back to full depth vertical face and tack face with thin coat of hot asphalt prior to continuing paving.
  3. Compact transverse joints to provide a smooth riding surface. Use methods to prevent rounding of compacted surface at joints.
3. Longitudinal joints:
  1. Offset longitudinal joints in succeeding lifts by at least 6"
  2. Cold joint is defined as joint where asphalt mix is placed, compacted and left to cool below 100 degrees C prior to paving of adjacent lane.
  3. Overlap previously laid strip with spreader by 1 to 2".
  4. Before rolling, carefully remove and discard coarse aggregate in material overlapping joint with a lute or rake.
  5. Roll longitudinal joints directly behind paving operation.
  6. When rolling with static or vibratory rollers, have most of drum width ride on newly placed lane with remaining 6" extending onto previously placed and compacted lane.

### 3.8 FINISH TOLERANCES

1. Finished asphalt surface to be within 1/4" of design elevation but not uniformly high or low.

2. Finished asphalt surface not to have irregularities exceeding ¼” when checked with a 15ft straight edge placed in any direction.
3. Ensure drainage flows toward catchbasins and/or drainage features. If ponding occurs, neatly cut out areas that pond and replace with new asphalt at Contractor’s cost.

### **3.9 DEFECTIVE WORK**

1. Correct irregularities which develop before completion of rolling by loosening surface mix and removing or adding material as required. If irregularities or defects remain after final compaction, remove surface course promptly and lay new material to form a true and even surface and compact immediately to specified density.
2. Repair areas showing checking, rippling, or segregation.
3. Adjust roller operation and screed settings on paver to prevent further defects such as rippling and checking of pavement.
4. Asphalt surface shall drain fully, ponding is not permitted - neatly cut out areas that pond or otherwise are defective or deficient and replace with new asphalt at Contractor’s cost.

**END**

## PART 1 - GENERAL

### **1.1 WORK INCLUDED/UNINCLUDED**

1. This section specifies requirements for constructing curbs, landing slabs and sidewalks. Work includes fine grading; supply, placing and finishing of Portland cement concrete and asphalt concrete; and backfilling.

### **1.2 RELATED SECTIONS**

1. Section 32 11 23 – Granular Base Course
2. Section 32 12 16 – Asphalt Paving.

### **1.3 REFERENCE STANDARDS**

1. American Society for Testing and Materials International (ASTM).
  1. ASTM D1751-04(2008), Standard Specification for Preformed Expansion Joint Filler for Concrete Paving and Structural Construction (Non-extruding and Resilient Bituminous Types)
2. Canadian Standards Association (CSA).
  1. CSA A23.1-M09, Concrete Materials and Methods of Concrete Construction.
3. Nova Scotia Department of Transportation and Infrastructure Renewal (NSTIR) Standard Specifications for Highway Construction and Maintenance.

### **1.4 PROTECTION**

1. Provide protection, including watchman if necessary, to prevent damage to newly installed walks, curbs and gutters.
2. Keep sufficient covering on site to protect fresh concrete from damage by weather.

## PART 2 - PRODUCTS

### **2.1 MATERIALS**

1. Concrete: minimum compressive strength of 35 MPa, and maximum water cement ratio of 0.45, air entrainment, 5 - 7%.
2. Isolation Joint Filler: to ASTM D1751.
3. Granular Base: Type 1 and Type 2 Gravel to Section 32 11 23 – Aggregate Base Courses.
4. Asphalt Materials: to Section 32 12 16 – Asphalt Paving.
5. Curing Compound: to CSA A23.1, white in colour.

## **2.2 ASPHALT CONCRETE MIX**

1. Asphalt Concrete Mix: to NSTIR's Standard Specification, Division 4, Section 4 – Highway Construction and Maintenance: Type B or C.
2. Mix design in accordance with Section 32 12 16 – Asphalt Paving.

## **PART 3 - EXECUTION**

### **3.1 FINE GRADING**

1. Fine grade gravel surface prior to placing Portland cement concrete or asphalt concrete.

### **3.2 ADJUSTING TOPS OF CASTINGS**

1. Adjust castings to match finished surface prior to placing surface course of asphalt concrete or Portland cement concrete.

### **3.3 CONCRETE SURFACES**

1. Do concrete work in accordance with CSA Standard A23 and as specified herein:
  1. Placing: Place concrete in continuous operation beginning at lowest point. Tamp or vibrate to prevent honeycombing.
  2. Jointing:
    1. Control joints to be a minimum of one quarter of section thickness.
    2. Space control joints every 5 ft for sidewalks and 10 ft for curbs unless otherwise indicated. Match joints in abutting curbs and walks to extent practical.
    3. Provide control joints within 6" of change in cross section of curbs.
    4. Finish perimeter of all slabs with an edger.
    5. Saw cutting shall be allowed if done as soon as concrete has set sufficiently to resist ravelling and before shrinkage cracks appear.
    6. Install isolation joint filler where concrete abuts permanent structure or curb, or as indicated.
  3. Finishing: Use experienced workers to finish surface. Do not apply water to newly placed concrete surfaces.
    1. Broom all exposed concrete surfaces to provide evenly textured, non-skid surface.
    2. Curing: Apply curing compound in accordance with CSA A23.1.
  4. Form stripping: Strip forms only when concrete has developed sufficient strength to resist damage to corners and edges.

### **3.4 ASPHALT CONCRETE SURFACES**

1. Place asphalt concrete mix in accordance with Section 32 12 16 – Asphalt Paving.
2. Finish to smooth dense surface.

### **3.5 EXTRUDING PORTLAND CEMENT CONCRETE AND ASPHALT CONCRETE**

1. Extruding equipment, profile and mule configuration must be approved in advance.

### **3.6 BACKFILLING**

1. Backfill when Portland cement concrete or asphalt concrete has strength sufficient to resist damage from backfilling operations.

**END**



## PART 1 - GENERAL

### **1.1 WORK INCLUDED**

1. This section specifies the requirements for the application of pavement markings. The Work consists of the furnishing of all materials, tools, equipment and labour to lay down pavement markings for the delineation and control of traffic.
2. Those materials which are not specified and/or indicated but are necessary for the complete installation of the work shall be deemed the responsibility of the Contractor and shall be included at no extra cost to the Contract.

### **1.2 RELATED SECTIONS**

1. Section 32 12 16 – Asphalt Paving.

### **1.3 REFERENCE STANDARDS**

1. Canadian General Standards Board (CGSB).
  1. CAN/CGSB 1.74-01, Alkyd Traffic Paint QPL.
2. Uniform Traffic Control Devices for Canada (MUTCD), latest revision.
3. Nova Scotia Department of Transportation and Infrastructure Renewal (NSTIR), "Temporary Work Place Traffic Control Manual", latest revision.

### **1.4 SHOP DRAWINGS**

1. Upon request, submit shop drawings showing all original pavement markings, locations and dimensions.

### **1.5 CODES, BY-LAWS, ORDINANCES AND REGULATIONS**

1. All work covered by this section shall be performed according to applicable local Municipality Codes, By-laws, Ordinances and Regulations.

## PART 2 - PRODUCTS

### **2.1 GENERAL**

1. All material supplied shall be new.

### **2.2 PERMANENT PAVEMENT MARKINGS**

1. Yellow paint: to CGSB 1.74. Colour to CGSB 505-308 colour chip. Add 75 g/L titanium dioxide and 100 g/L lead chromate.
2. White paint: to CGSB 1.74. Colour to CGSB 513-301 colour chip. Add 150 g/L titanium dioxide.

### PART 3 – EXECUTION

#### **3.1 GENERAL**

1. Location and dimensions to match existing or as directed by the HRSB Representative.
2. Clean pavement surface of all dirt, dust, oil, surface water, and pavement markings that have been previously or poorly applied.
3. Thoroughly clean distributor tank before refilling with materials of different colour.
4. Layout pavement markings in accordance with the Uniform Traffic Control Devices for Canada (3rd Edition), latest revision.

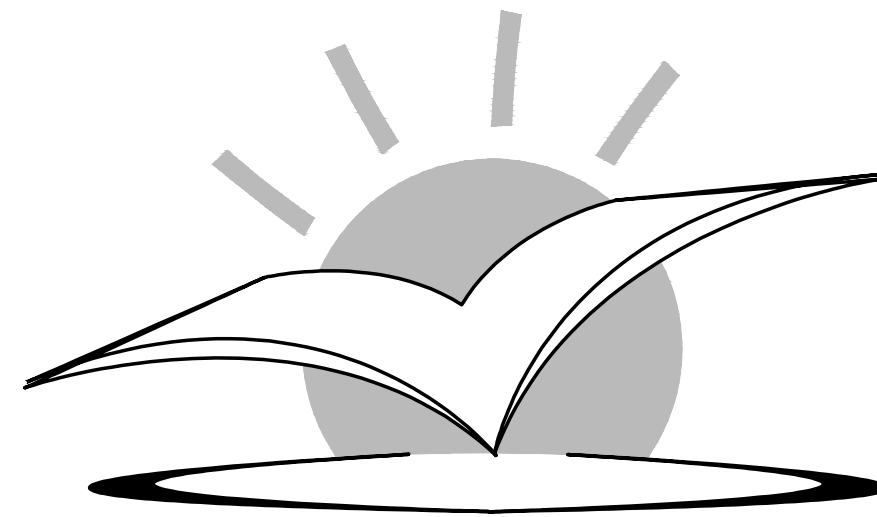
#### **3.2 PAINT**

1. Apply paint only when air temperature is above 12 degrees Celsius and in dry weather.
2. Apply markings to within a tolerance of ½” with a ¼” maximum deviation in any 10 ft length.
3. Apply paint under pressure at a rate to achieve a paint thickness of not less than 0.253 mm (10 mils) when sprayed on the surface.
4. Protect newly painted markings from traffic by barricades or cones or other suitable method until paint has dried sufficient so as to not be damaged by traffic.

#### **3.3 ARROWS, SYMBOLS AND LETTERS**

1. Prepare templates for approval and meet UTCD specifications. Obtain approval from the HRSB Representative of all templates prior to use.
2. Arrows to be ¾ size of Transportation Association of Canada standards listed in the MUTCD Specifications.
3. Apply painted arrows, symbols, and letters in accordance with Section 3.1.

**END**



# Halifax Regional School Board

PROJECT TITLE:

## HRSB PAVING

LOCATION

## VARIOUS LOCATIONS

PROSPECT ROAD ELEMENTARY SCHOOL  
ELIZABETH SUTHERLAND SCHOOL  
GROSVENOR WENTWORTH ELEMENTARY SCHOOL  
J.L. ILSLEY HIGH SCHOOL  
A.J. SMELTZER JR. HIGH SCHOOL  
HARRY R. HAMILTON

TENDER NUMBER: 3688

DATE: 18 JULY, 2014

**ISSUED FOR TENDER**



Fowler Bauld & Mitchell Ltd.  
PO Box 514, Suite 102  
1660 Hollis Street, Halifax, Nova Scotia B3J 2R7  
Tel: 902 429 4100 Fax: 902 423 3063  
email: architects@fbm.ns.ca www.fbm.ns.ca

CONTACT:

MARK GAMMON



CAMPBELL COMEAU  
ENGINEERING LIMITED  
CONSULTING ENGINEERS  
2719 GLADSTONE STREET  
SUITE 110 HALIFAX, N.S. B3K 4W6  
Tel: 429-6454 Fax: 444-3939  
Email: ccc@campbellcomeau.ns.ca

CONTACT:

MARCEL DEVEAU

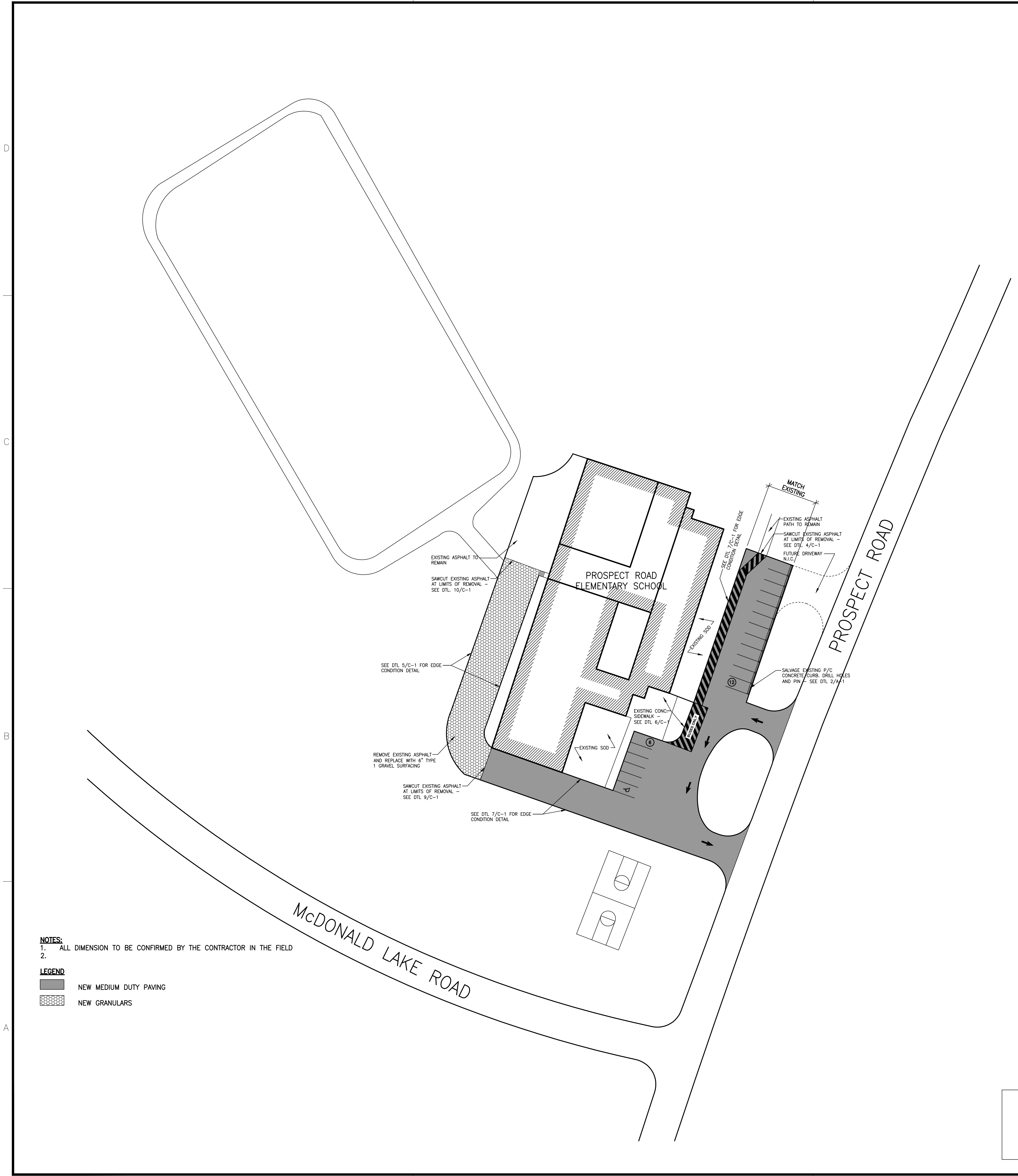
## LIST OF DRAWINGS:

### ARCHITECTURAL

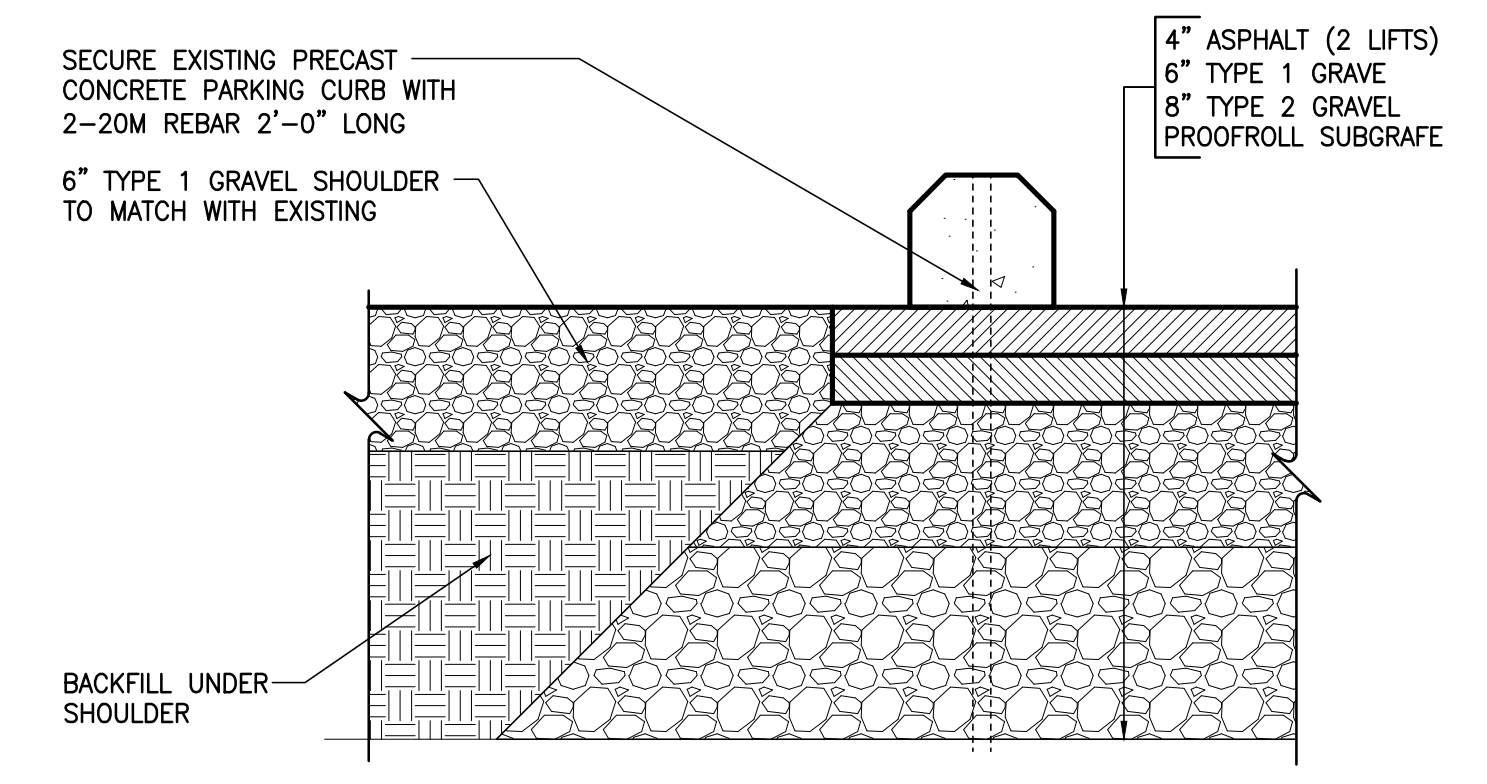
A-1 SITE PLAN - PROSPECT ROAD ELEMENTARY  
A-2 SITE PLAN - ELIZABETH SUTHERLAND SCHOOL  
A-3 SITE PLAN - GROSVENOR WENTWORTH ELEMENTARY SCHOOL  
A-4 SITE PLAN - J.L. ILSLEY HIGH SCHOOL  
A-5 SITE PLAN - A.J. SMELTZER JR. HIGH SCHOOL  
A-6 SITE PLAN - HARRY R HAMILTON ELEMENTARY SCHOOL

### CIVIL

C-1 STANDARD DETAILS



- NOTES:**  
 1. ALL DIMENSION TO BE CONFIRMED BY THE CONTRACTOR IN THE FIELD  
 2.
- LEGEND**  
 [Pattern] NEW MEDIUM DUTY PAVING  
 [Pattern] NEW GRANULARS



**2** P/C CONCRETE PARKING CURB  
 A-1 SCALE: 1-1/2" = 1'-0"

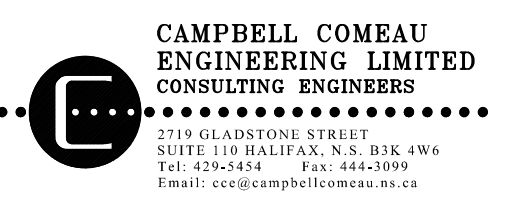


KEY PLAN

LOGO



Fowler Bauld & Mitchell Ltd.  
 PO Box 514, Suite 102  
 1660 Hollis Street  
 Halifax, Nova Scotia B3J 2R7  
 Tel: 902 429 4100  
 Fax: 902 423 3063  
 architects@fblm.ns.ca  
 www.fblm.ns.ca



CAMPBELL COMEAU  
 ENGINEERING LIMITED  
 CONSULTING ENGINEERS  
 2130 GLADSTONE STREET  
 SUITE 110 BALETT, N.S. B3B 4W6  
 Tel: 429-5454 Fax: 444-1099  
 Email: info@campbellcomeau.ns.ca

GRAPHIC SCALE

18 JUL 14 ISSUED FOR TENDER  
 DATE MARK ISSUE

STAMP

SCALE 1" = 40'  
 DRAWN BY: MDG  
 CHECKED BY: MD  
 REVIEWED BY:  
 APPROVED BY:  
 AS-BUILT CHECK  
 DATE: 18 JUL 2014

PROJECT  
 HRSB PAVING  
 VARIOUS LOCATIONS

PROJECT NO.: 2014-055

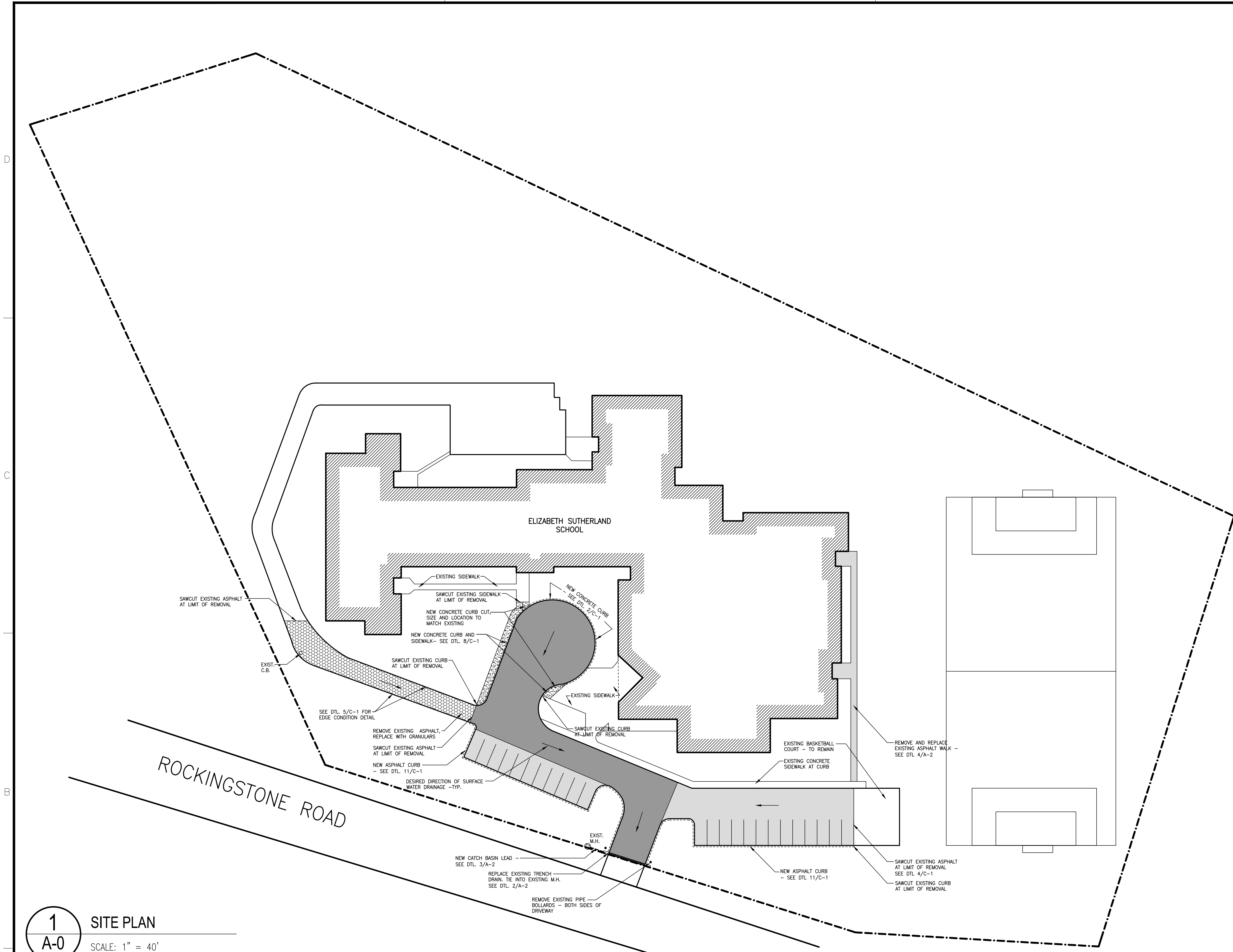
SHEET TITLE  
 SITE PLAN  
 PROSPECT ROAD  
 ELEMENTARY SCHOOL

INTERNAL NO.: HRSB 3688

A-1

SHEET OF

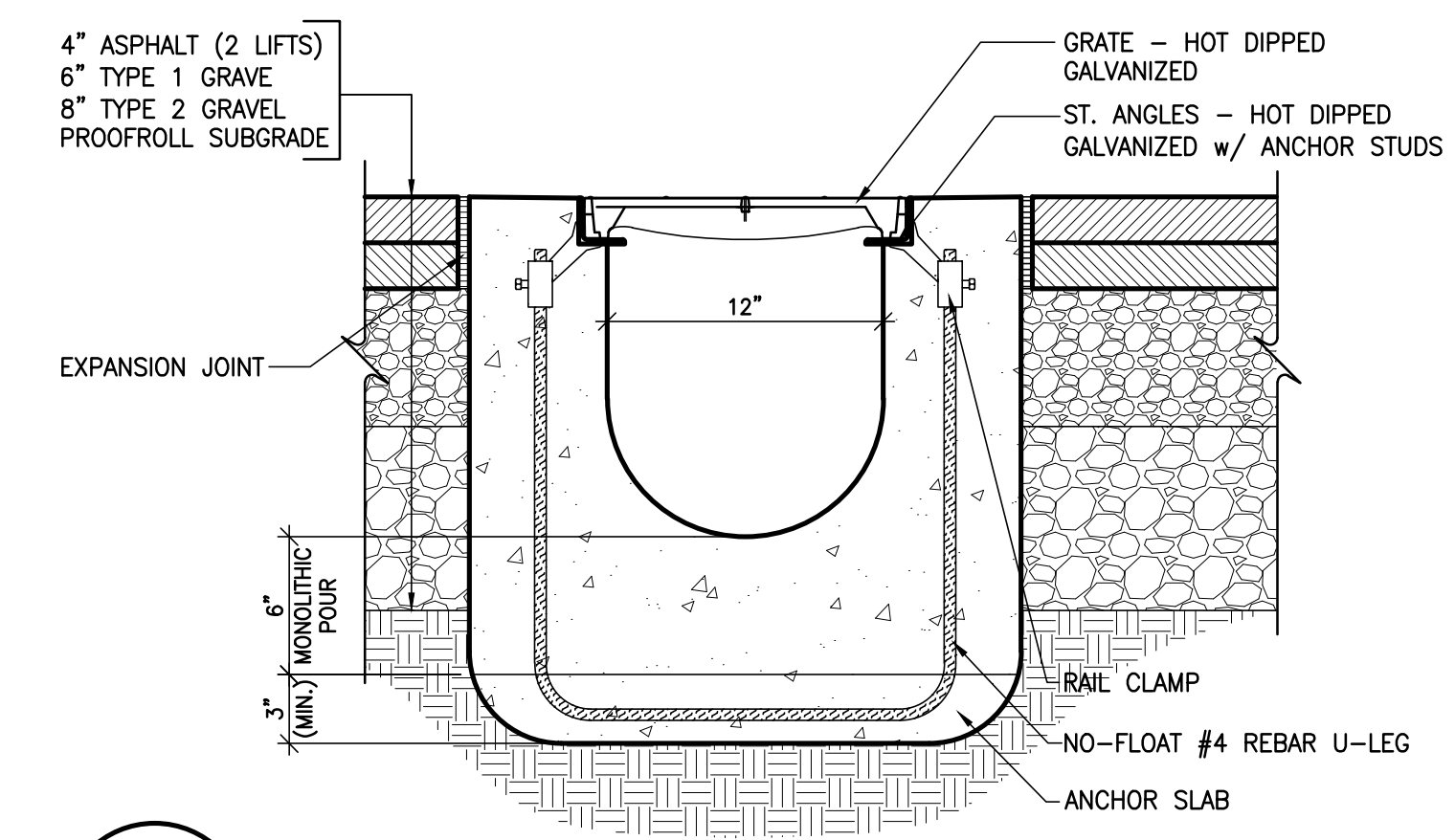
DO NOT SCALE DRAWING. THIS DRAWING IS CONCEPTUAL ONLY.  
 CONTRACTOR TO SITE VERIFY DIMENSION AND QUANTITIES



**1**  
A-0  
**SITE PLAN**  
SCALE: 1" = 40'

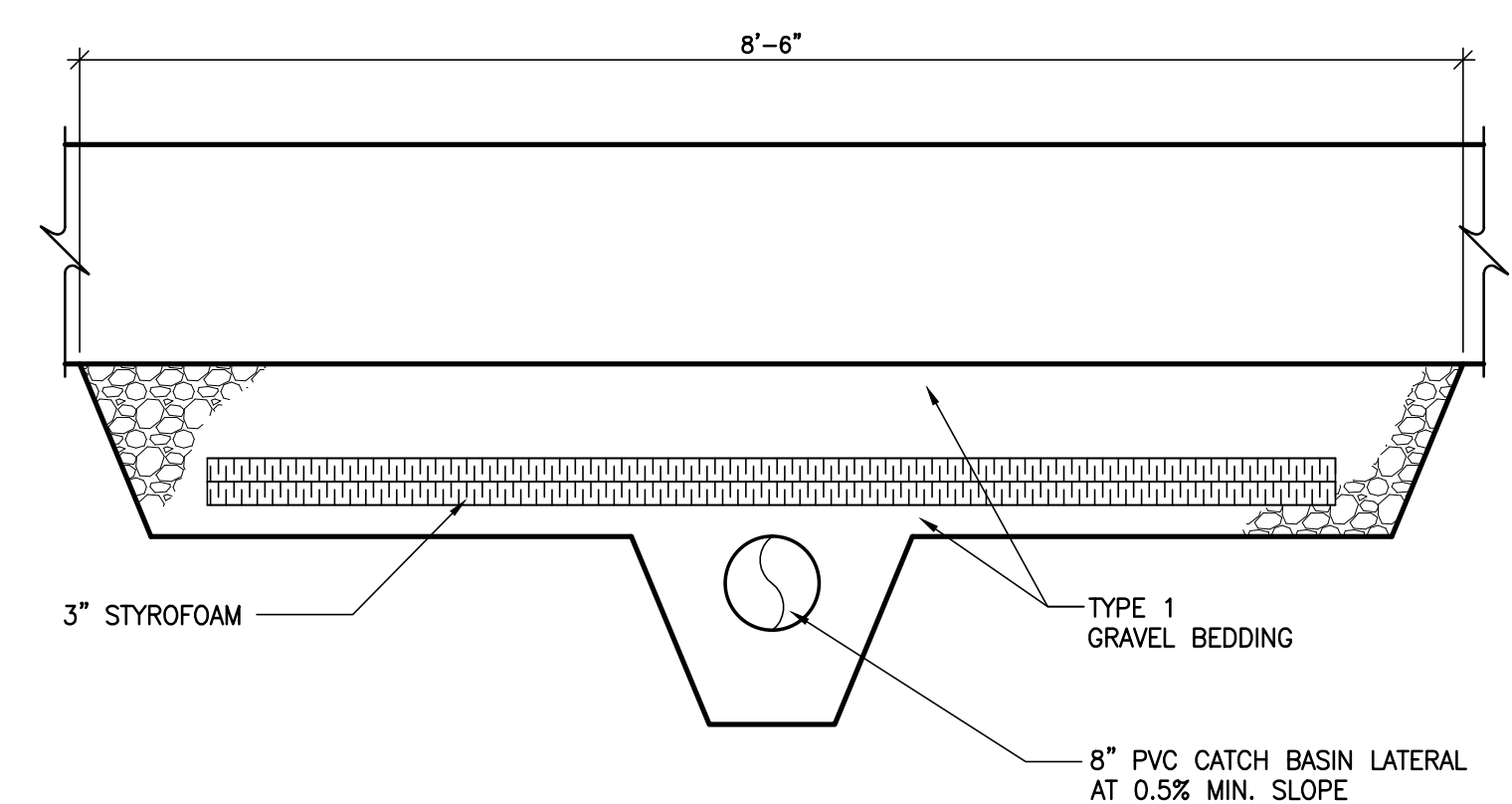
- NOTES:**
- ALL DIMENSION TO BE CONFIRMED BY THE CONTRACTOR IN THE FIELD.
  - ALL DEBRIS IS TO BE REMOVED FROM SITE AND DISPOSED OF LAWFULLY.
- LEGEND**
- NEW LIGHT DUTY PAVING (FULL DEPTH REPLACEMENT)
  - NEW MEDIUM DUTY PAVING (FULL DEPTH REPLACEMENT)
  - NEW GRANULARS (REMOVE DETERIORATED ASPHALT AND DISPOSE. GRADE, PROOF ROLL AND PROVIDE 6" TYPE 1 GRAVEL)

DO NOT SCALE DRAWING. THIS DRAWING IS CONCEPTUAL ONLY.  
CONTRACTOR TO SITE VERIFY DIMENSION AND QUANTITIES

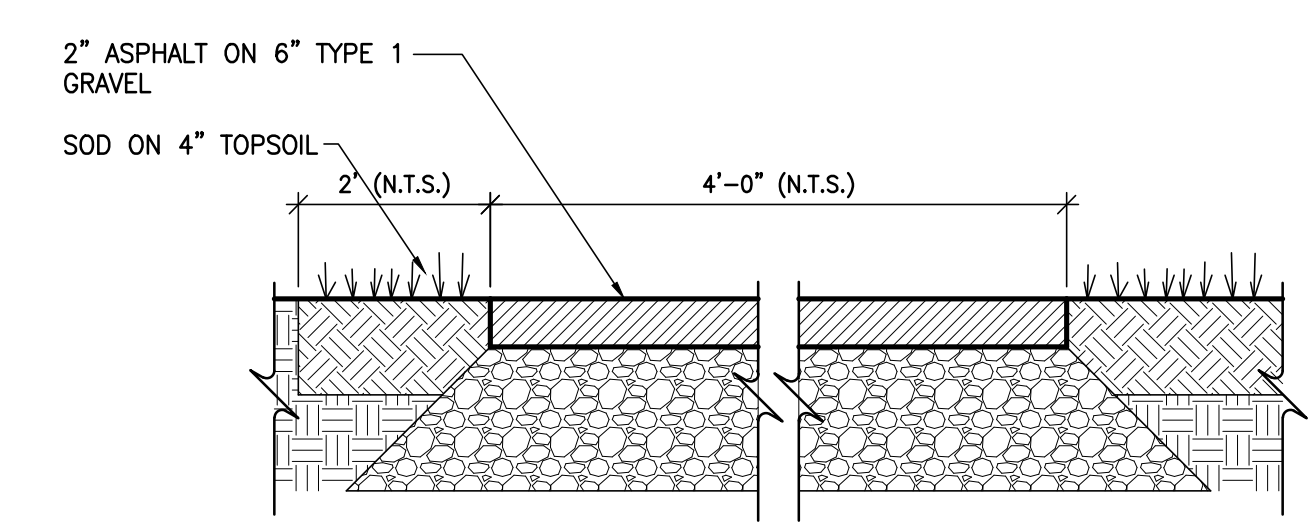


**2**  
A-2  
**TRENCH DRAIN**  
SCALE: 1-1/2" = 1'-0"

ACCEPTABLE MATERIAL:  
TRENCH FORMER MHD 12 BY ABT INC.  
AS A COMPLETE SYSTEM



**3**  
A-2  
**TRENCH DRAIN LEAD**  
SCALE: 1" = 1'-0"

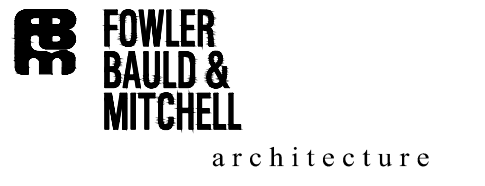


**4**  
A-2  
**ASPHALT WALKWAY**  
SCALE: 1-1/2" = 1'-0"



KEY PLAN

LOGO



Fowler Bauld & Mitchell Ltd.  
PO Box 514, Suite 102  
1660 Hollis Street  
Halifax, Nova Scotia B3J 2R7  
Tel: 902 429 4100  
Fax: 902 423 3063  
architects@fblm.ns.ca  
www.fblm.ns.ca



GRAPHIC SCALE

18 JUL 14  
DATE  
ISSUED FOR TENDER  
ISSUE

STAMP

SCALE: 1" = 40'  
DRAWN BY: MDG  
CHECKED BY: MD  
REVIEWED BY:  
APPROVED BY:  
AS-BUILT CHECK  
DATE: 18 JUL 2014

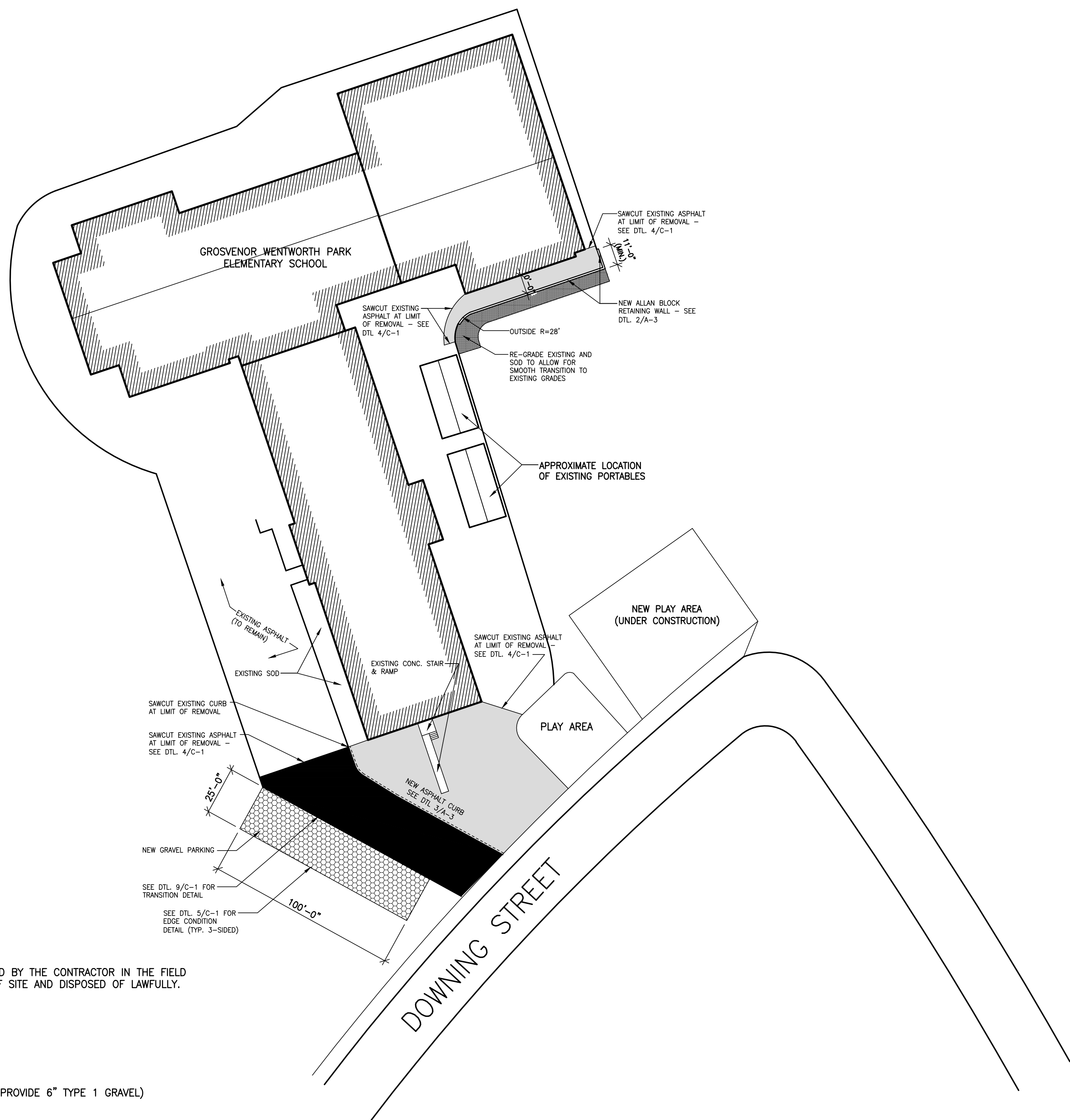
PROJECT  
HRSB PAVING  
VARIOUS LOCATIONS

PROJECT NO.: 2014-069  
SHEET TITLE  
SITE PLAN  
ELIZABETH SUTHERLAND

INTERNAL NO.: HRSB #3688

A-2

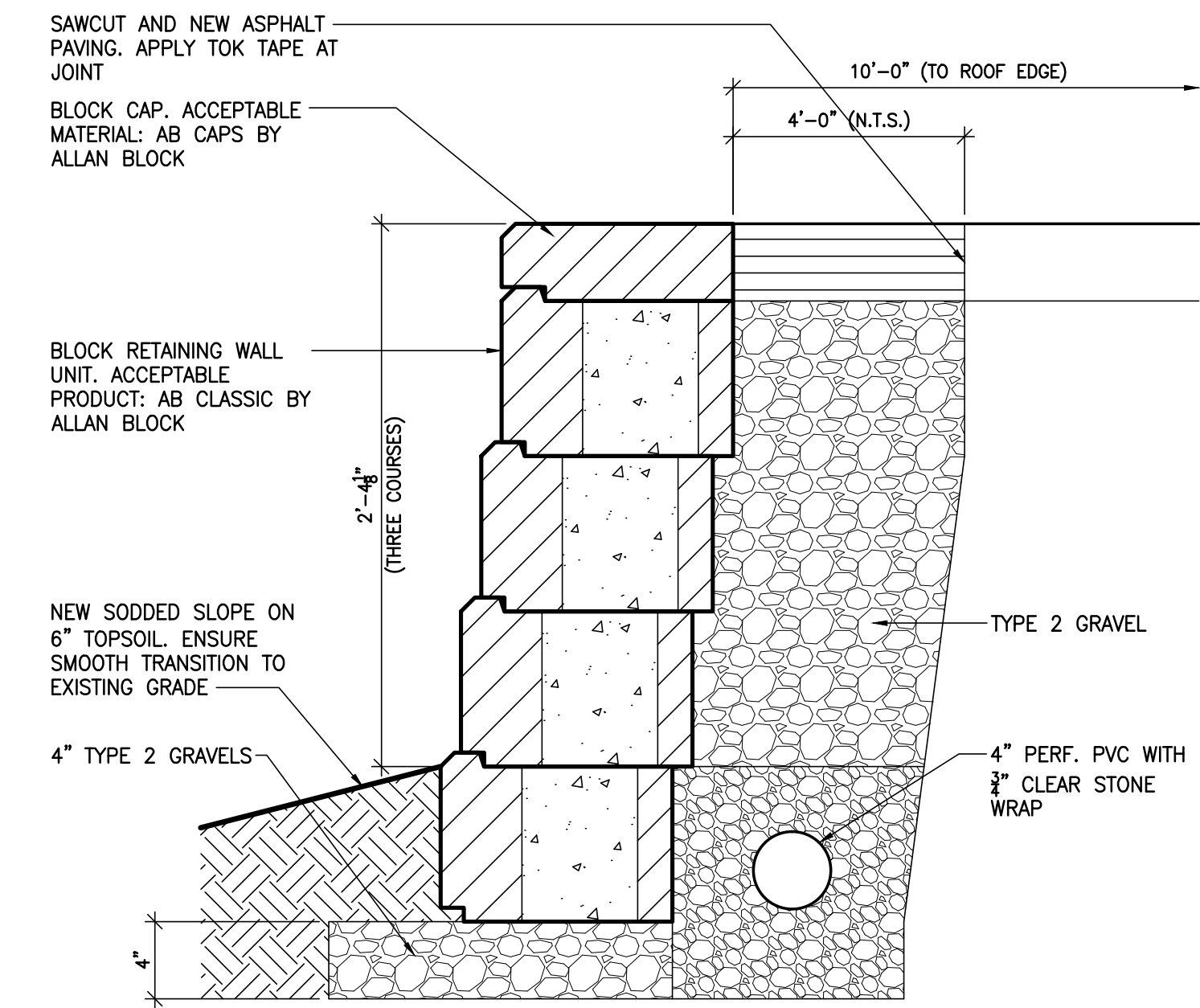
SHEET OF



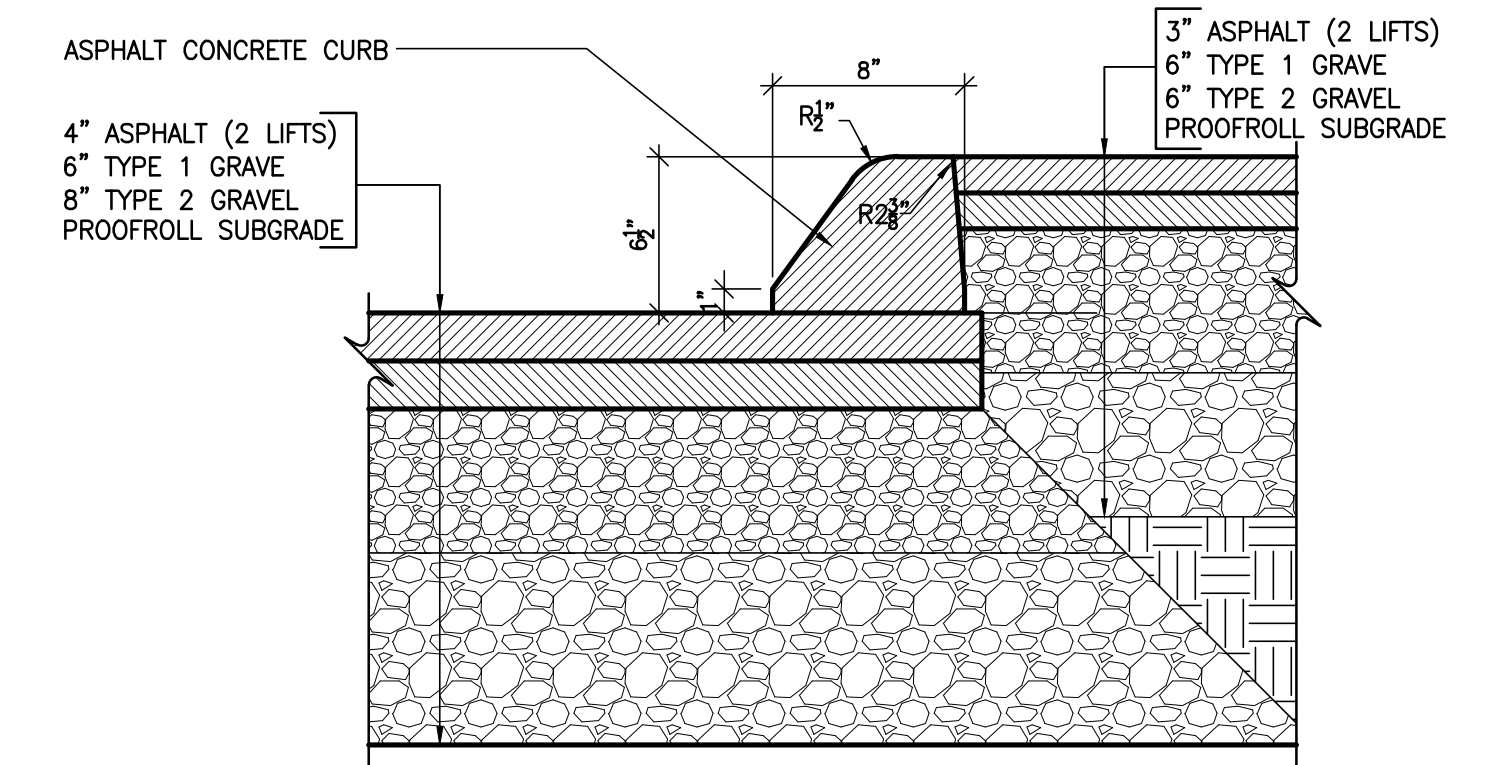
- NOTES:**  
 1. ALL DIMENSION TO BE CONFIRMED BY THE CONTRACTOR IN THE FIELD  
 2. ALL DEBRIS TO BE REMOVED OFF SITE AND DISPOSED OF LAWFULLY.

- LEGEND**
- NEW LIGHT DUTY PAVING
  - NEW MEDIUM DUTY PAVING
  - NEW GRANULARS (GRADE, PROOF ROLL AND PROVIDE 6" TYPE 1 GRAVEL)

**1**  
**A-3** SITE PLAN  
 SCALE: 1" = 40'



**2**  
**A-3** SECTION THRU RETAINING WALL  
 SCALE: 1-1/2" = 1'-0"



**3**  
**A-3** NEW ASPHALT CURB AND L.D. ASPHALT  
 SCALE: 1-1/2" = 1'-0"

DO NOT SCALE DRAWING. THIS DRAWING IS CONCEPTUAL ONLY.  
 CONTRACTOR TO SITE VERIFY DIMENSION AND QUANTITIES



KEY PLAN

LOGO



Fowler Bauld & Mitchell Ltd.  
 PO Box 514, Suite 102  
 1666 Hollis Street  
 Halifax, Nova Scotia B3J 2R7  
 Tel: 902 429 4100  
 Fax: 902 423 3063  
 architects@fblm.ns.ca  
 www.fblm.ns.ca



CAMPBELL COMEAU  
 ENGINEERING LIMITED  
 CONSULTING ENGINEERS  
 \*\*\*\*\*  
 5005 SPRING GARDEN ROAD  
 SUITE 1000  
 TEL: 428-6484 FAX: 428-6488  
 Email: cco@campbellcomeau.com

GRAPHIC SCALE

18 JUL 14 ISSUED FOR TENDER  
 DATE MARK ISSUE

STAMP

SCALE 1" = 40'  
 DRAWN BY: MDG  
 CHECKED BY: MD  
 REVIEWED BY:  
 APPROVED BY:  
 AS-BUILT CHECK  
 DATE: 18 JUL 2014

PROJECT  
 HRSB PAVING  
 VARIOUS LOCATIONS

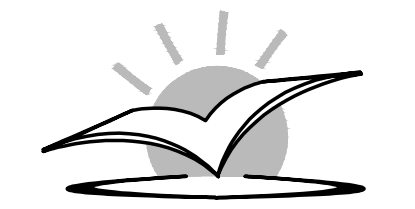
PROJECT NO.: 2014-065

SHEET TITLE  
 SITE PLAN  
 GROSVENOR WENTWORTH  
 ELEMENTARY SCHOOL

INTERNAL NO.: HRSB 3688

A-3

SHEET OF



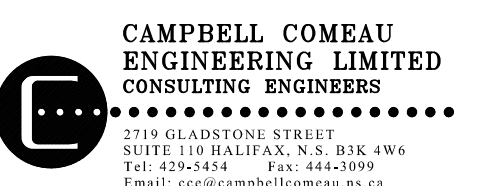
Halifax Regional School Board

KEY PLAN

LOGO



Fowler Bauld & Mitchell Ltd.  
PO Box 514, Suite 102  
1660 Hollis Street  
Halifax, Nova Scotia B3J 2R7  
Tel: 902 429 4100  
Fax: 902 423 3063  
architects@fblm.ns.ca  
www.fblm.ns.ca



CAMPBELL COMEAU  
ENGINEERING LIMITED  
CONSULTING ENGINEERS  
2788 GLADSTONE STREET  
SCHEPPE BUILDING, N.S. B3B 1W6  
Tel: 429-4848 Fax: 444-1099  
Email: cc@campbellcomeau.ns.ca

GRAPHIC SCALE

18 JUL 14	ISSUED FOR TENDER
DATE	MARK
	ISSUE

STAMP

SCALE	1" = 40'
DRAWN BY:	MDG
CHECKED BY:	MD
REVIEWED BY:	
APPROVED BY:	
AS-BUILT CHECK	
DATE:	18 JUL 2014

PROJECT  
HRSB PAVING  
VARIOUS LOCATIONS

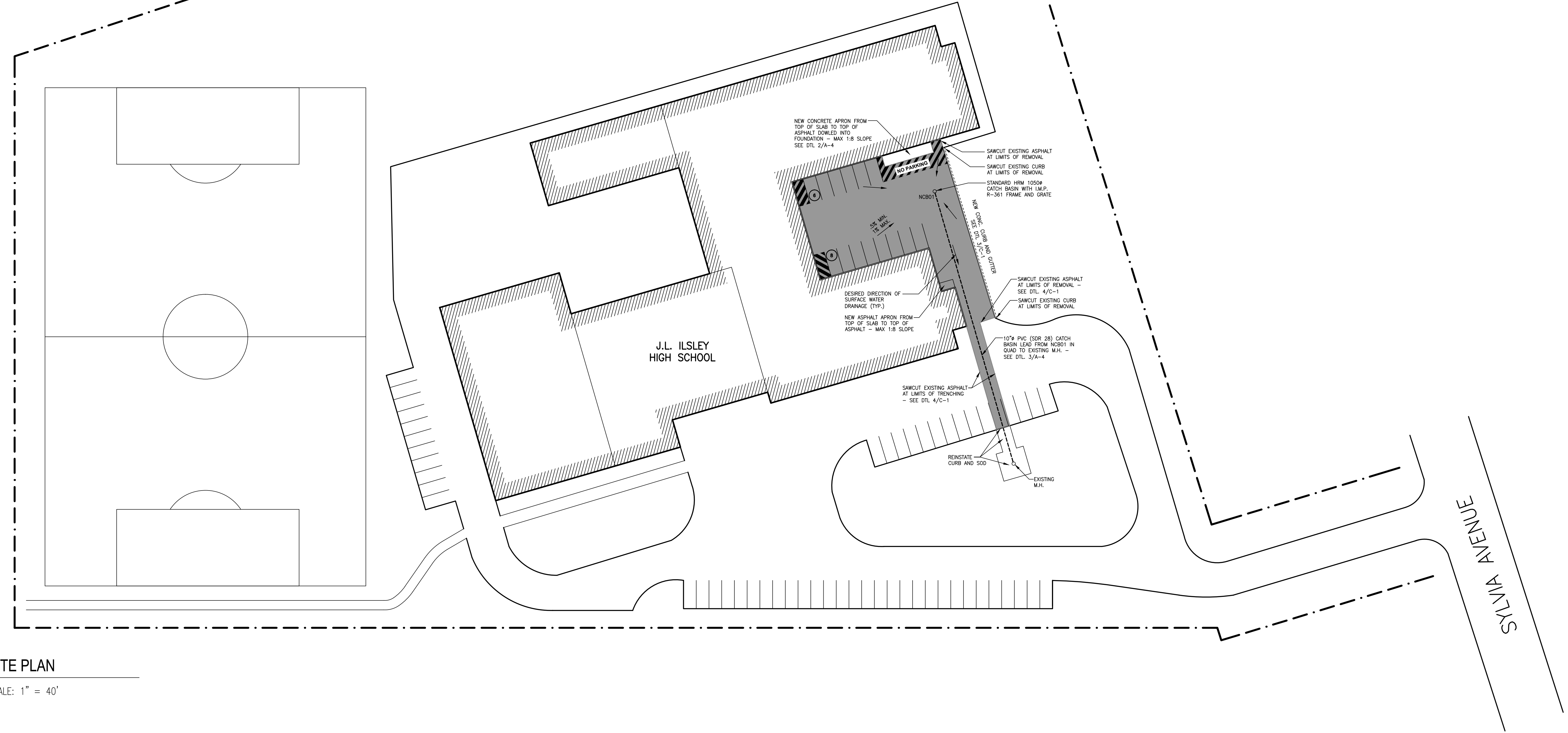
PROJECT NO.: 2014-059

SHEET TITLE  
SITE PLAN  
J.L. ILSLEY  
HIGH SCHOOL

INTERNAL NO.: HRSB #3688

A-4

SHEET OF

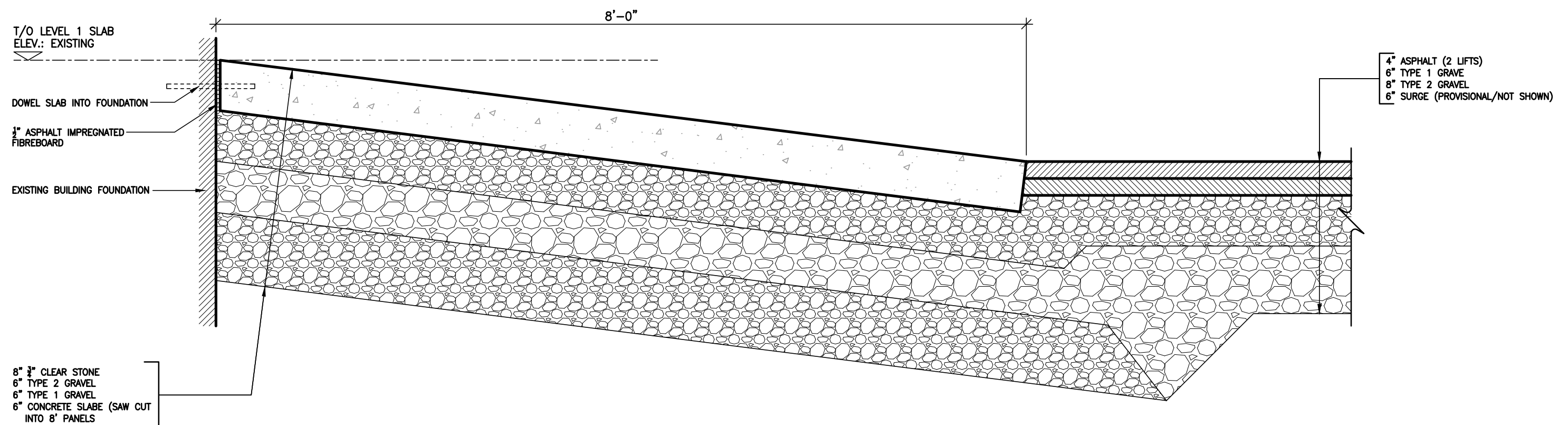


1 SITE PLAN  
A-0 SCALE: 1" = 40'

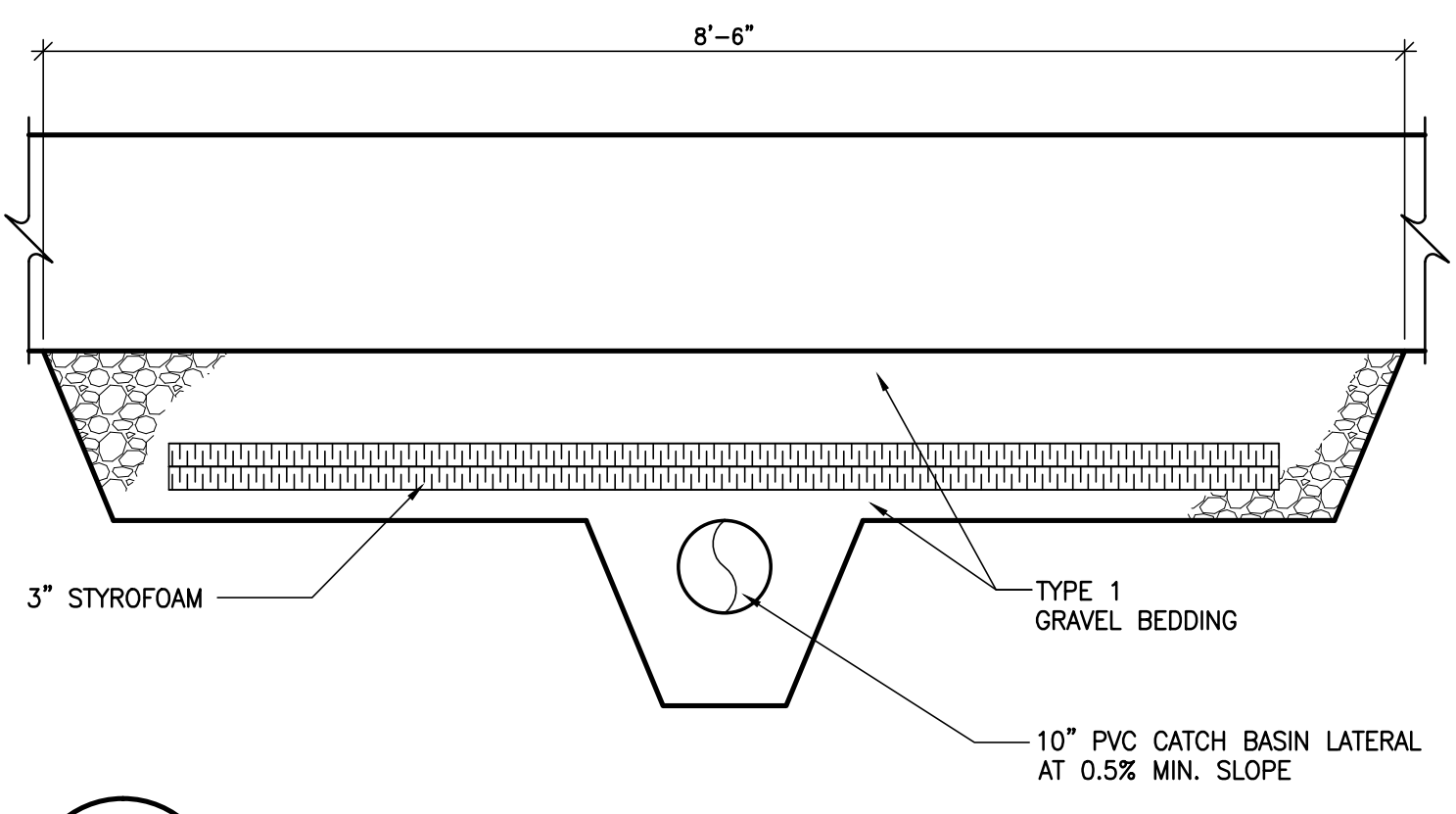
- NOTES:
1. ALL DIMENSION TO BE CONFIRMED BY THE CONTRACTOR IN THE FIELD.
  2. NEW CATCH BASIN c/w STEEL FRAME AND COVER TO BE PER HRM STANDARDS.
  3. ALL DEBRIS TO BE REMOVE FROM SITE AND DISPOSED OF LAWFULLY.

- LEGEND
- NEW MEDIUM DUTY PAVING (FULL DEPTH REPLACEMENT)
  - 10" PVC SDR 28 @ 0.5% MIN. INSULATED - SEE DTL. 3/A-0

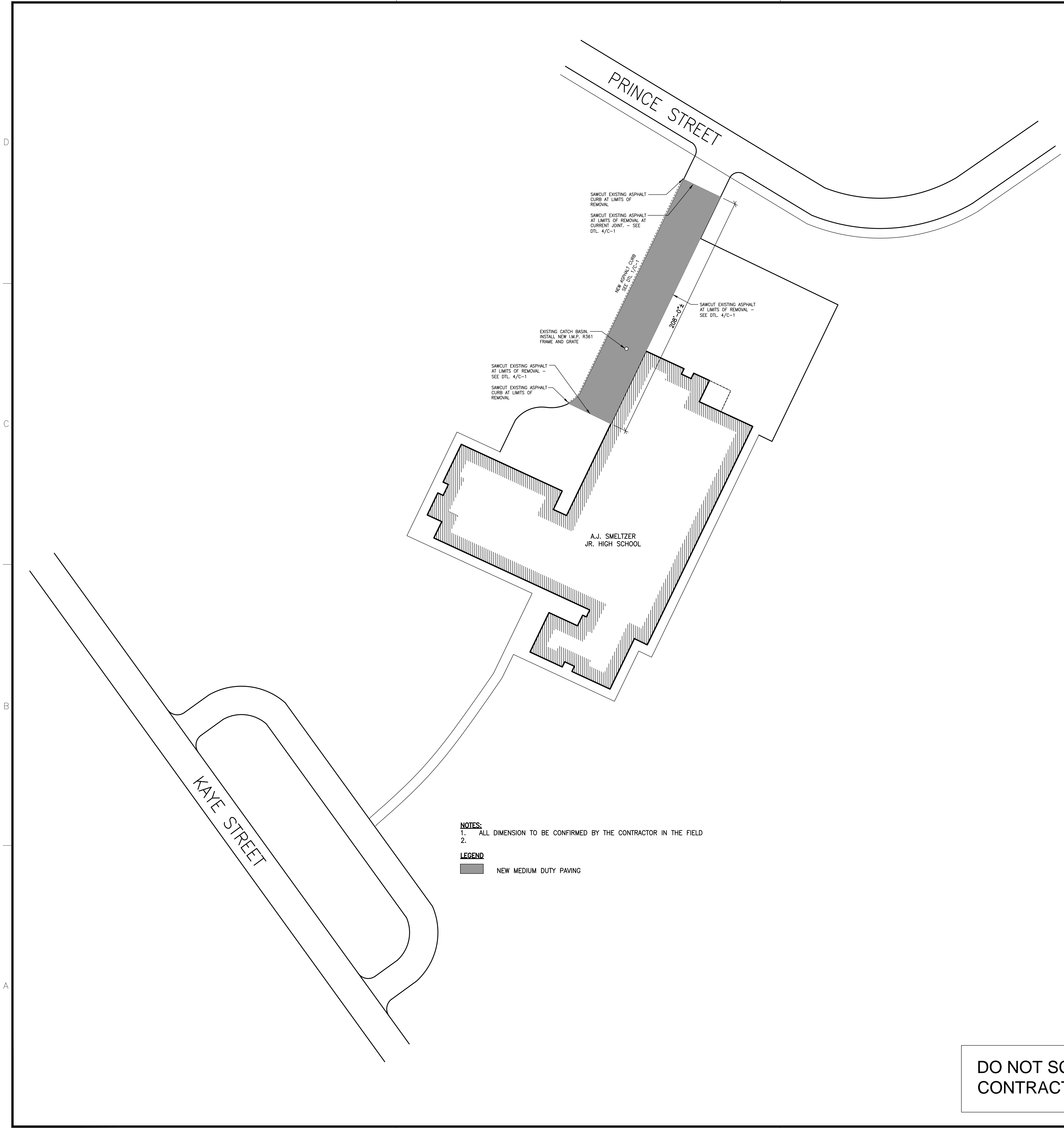
DO NOT SCALE DRAWING. THIS DRAWING IS CONCEPTUAL ONLY.  
CONTRACTOR TO SITE VERIFY DIMENSION AND QUANTITIES



2 CONCRETE APRON  
A-4 SCALE: 1" = 1'-0"



3 CATCH BASIN LEAD  
A-4 SCALE: 1" = 1'-0"



**NOTES:**  
 1. ALL DIMENSION TO BE CONFIRMED BY THE CONTRACTOR IN THE FIELD  
 2.  
**LEGEND**  
 [Shaded Box] NEW MEDIUM DUTY PAVING

DO NOT SCALE DRAWING. THIS DRAWING IS CONCEPTUAL ONLY.  
 CONTRACTOR TO SITE VERIFY DIMENSION AND QUANTITIES

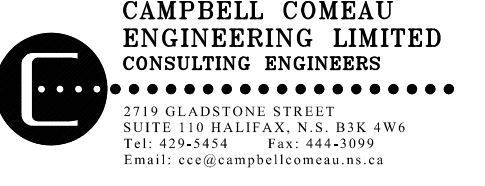


KEY PLAN

LOGO



Fowler Bauld & Mitchell Ltd.  
 PO Box 514, Suite 102  
 1660 Hollis Street  
 Halifax, Nova Scotia B3J 2R7  
 Tel: 902 429 4100  
 Fax: 902 423 3063  
 architects@fblm.ns.ca  
 www.fblm.ns.ca



CAMPBELL COMEAU  
 ENGINEERING LIMITED  
 CONSULTING ENGINEERS  
 2788 GLADSTONE STREET  
 SCHEFFIE, N.S. S1B 0W6  
 Tel: 429-5854 Fax: 444-1090  
 Email: cc@campbellcomeau.ns.ca

GRAPHIC SCALE

18 JUL 14 DATE  
 ISSUED FOR TENDER  
 MARK

STAMP

SCALE 1" = 40'  
 DRAWN BY: MDG  
 CHECKED BY: MD  
 REVIEWED BY:  
 APPROVED BY:  
 AS-BUILT CHECK  
 DATE: 18 JUL 2014

PROJECT  
 HRSB PAVING  
 VARIOUS LOCATIONS

PROJECT NO.: 2014-079

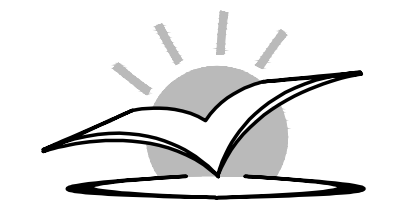
SHEET TITLE  
 SITE PLAN  
 A.J. SMELTZER  
 JR. HIGH SCHOOL

INTERNAL NO.: HRSB #3688

A-5

SHEET OF





Halifax Regional School Board

KEY PLAN

LOGO

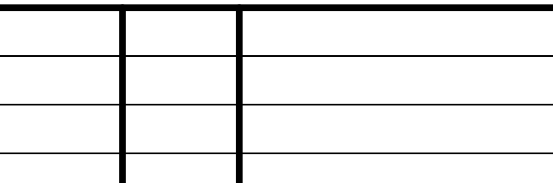


Fowler Bauld & Mitchell Ltd.  
PO Box 514, Suite 102  
1666 Hollis Street  
Halifax, Nova Scotia B3J 2R7  
Tel: 902 429 4100  
Fax: 902 423 3063  
architects@fblm.ns.ca  
www.fblm.ns.ca



CAMPBELL COMEAU  
ENGINEERING LIMITED  
CONSULTING ENGINEERS  
2118 GLADSTONE STREET  
SUITE 101 HALIFAX, N.S. B1K 1W6  
Tel: 429-5454 Fax: 444-1094  
Email: cc@cpcampbellcomeau.ns.ca

GRAPHIC SCALE



18 JUL 14 DATE MARK ISSUED FOR TENDER ISSUE

STAMP

SCALE: 1" = 40'  
DRAWN BY: MDG  
CHECKED BY: MD  
REVIEWED BY:  
APPROVED BY:  
AS-BUILT CHECK  
DATE: 18 JUL 2014

PROJECT  
HRSB PAVING  
VARIOUS LOCATIONS

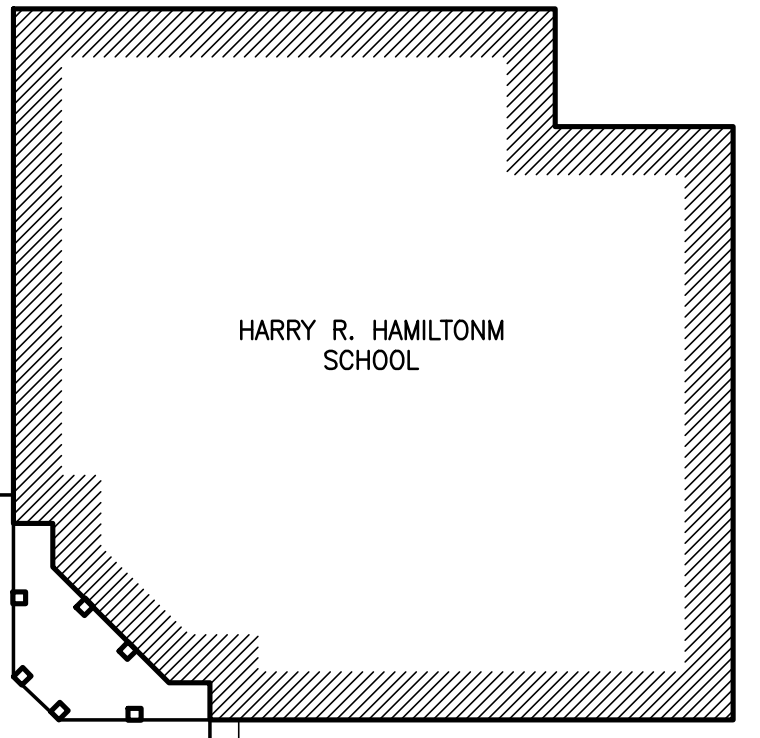
PROJECT NO.: 2014-080

SHEET TITLE  
HARRY R. HAMILTON  
ELEMENTARY SCHOOL

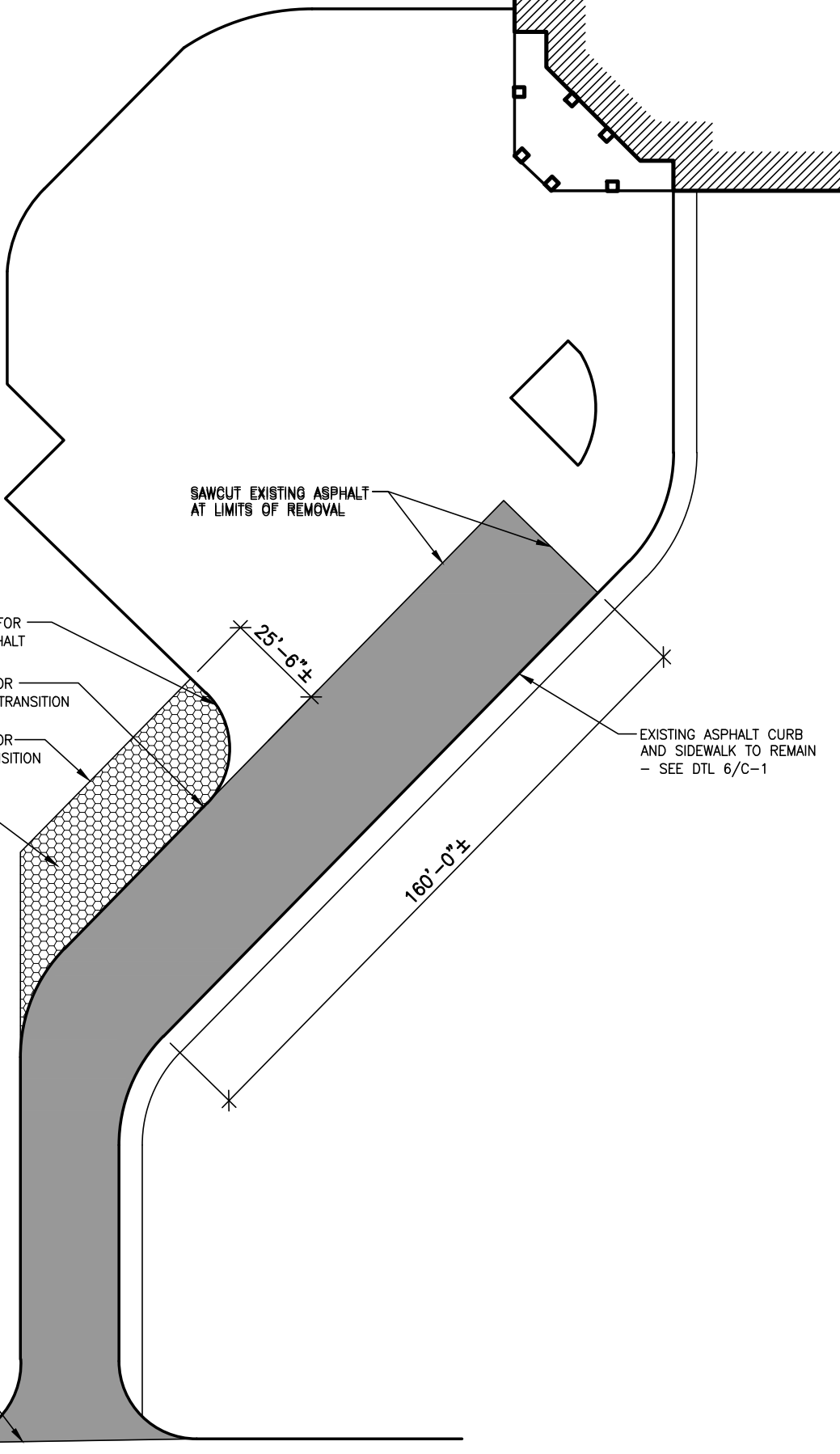
INTERNAL NO.: HRSB #3688

A-6

SHEET OF



HARRY R. HAMILTON SCHOOL



SAWCUT EXISTING ASPHALT AT LIMITS OF REMOVAL

SEE DTL 10/C-1 FOR GRAVELS/EXT. ASPHALT TRANSITION  
SEE DTL 9/C-1 FOR GRAVELS/ASPHALT TRANSITION  
SEE DTL 5/C-1 FOR GRAVELS/SOD TRANSITION

NEW GRAVELS

25'-0"

EXISTING ASPHALT CURB AND SIDEWALK TO REMAIN - SEE DTL 6/C-1

160'-0"

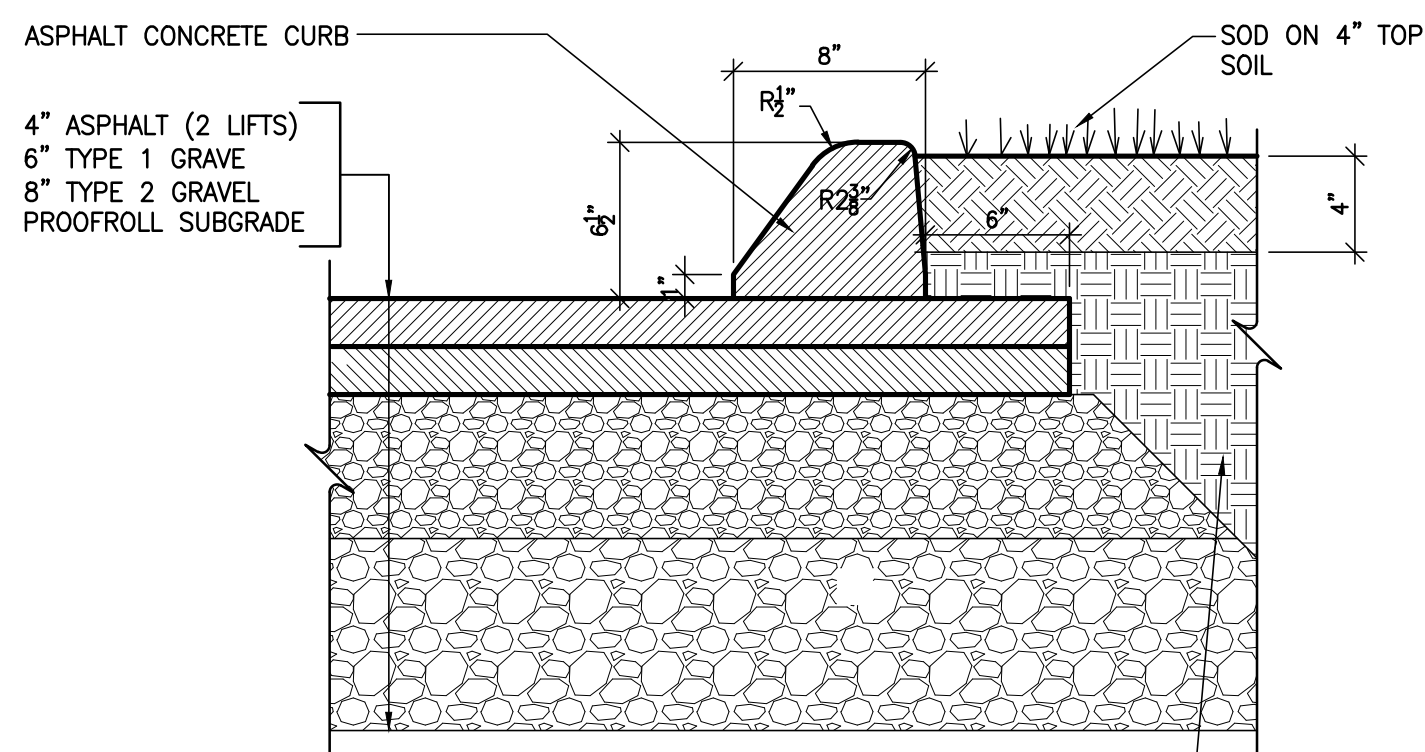
SAWCUT EXISTING ASPHALT AT LIMITS OF REMOVAL - SEE DTL 4/C-1

HAMILTON DRIVE

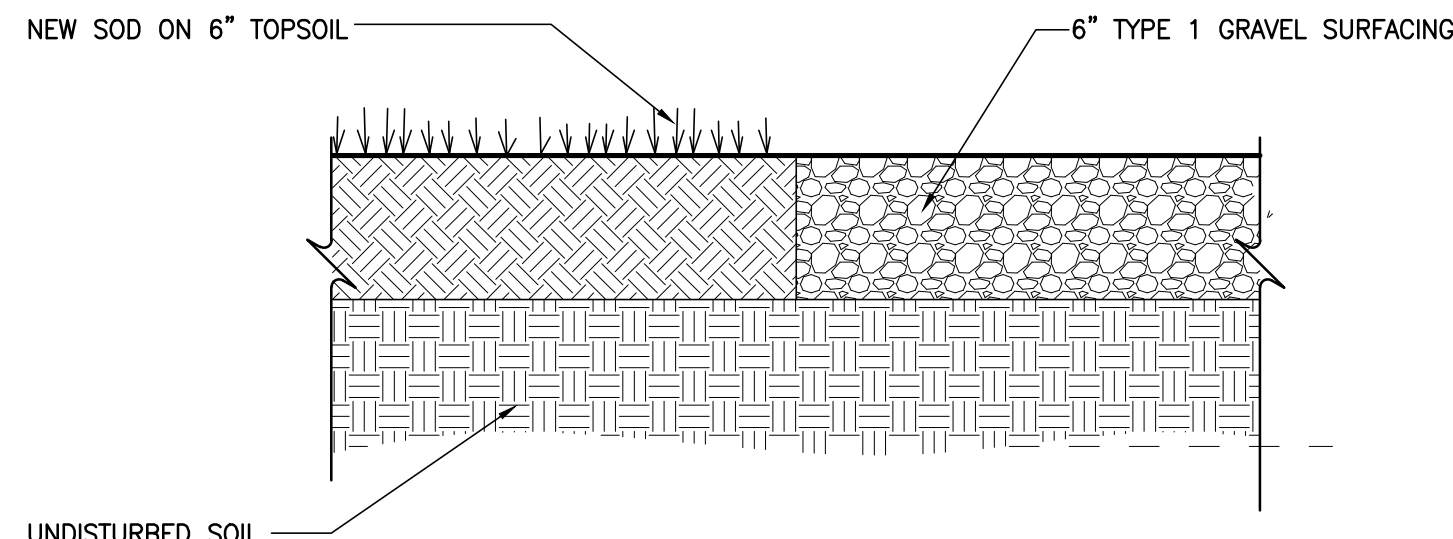
NOTES:  
1. ALL DIMENSION TO BE CONFIRMED BY THE CONTRACTOR IN THE FIELD  
2.

LEGEND  
NEW MEDIUM DUTY PAVING  
NEW GRANULARS

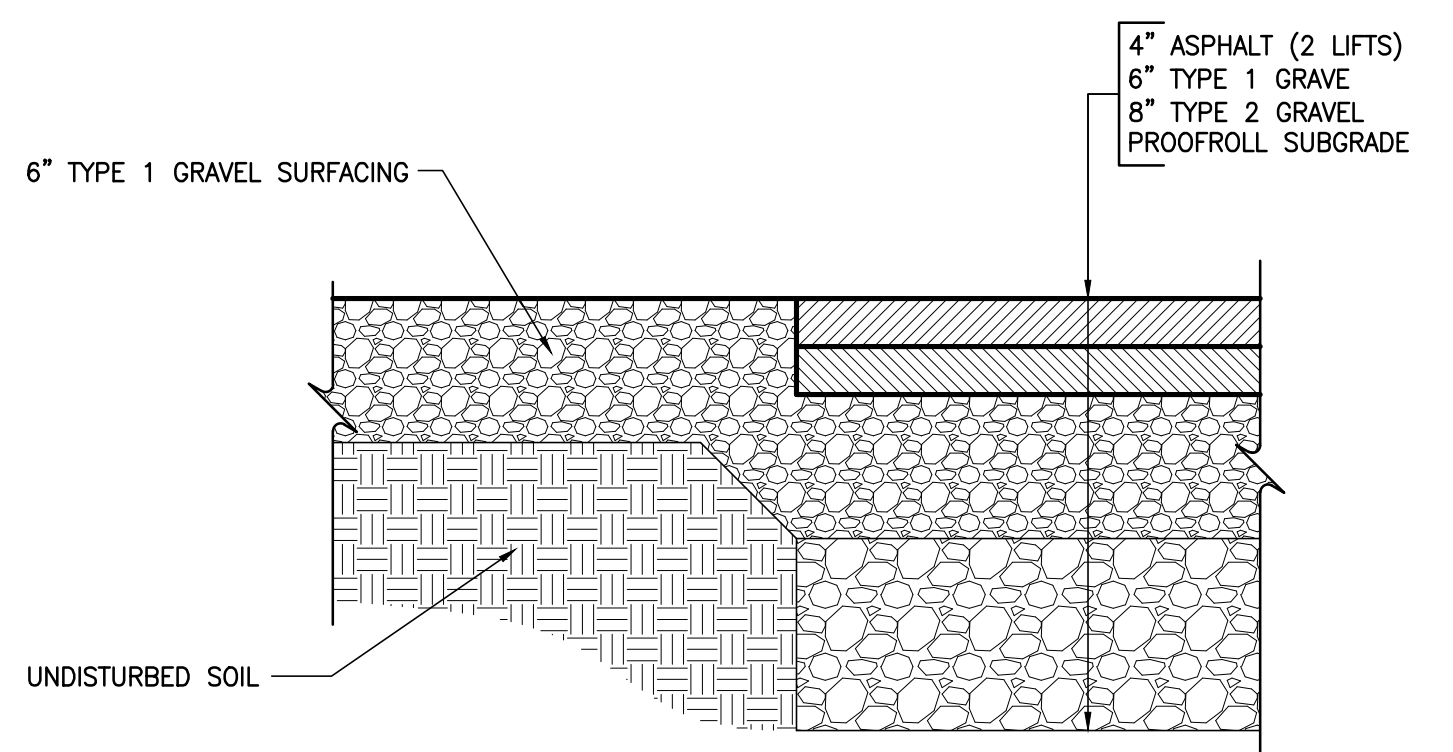
DO NOT SCALE DRAWING. THIS DRAWING IS CONCEPTUAL ONLY.  
CONTRACTOR TO SITE VERIFY DIMENSION AND QUANTITIES



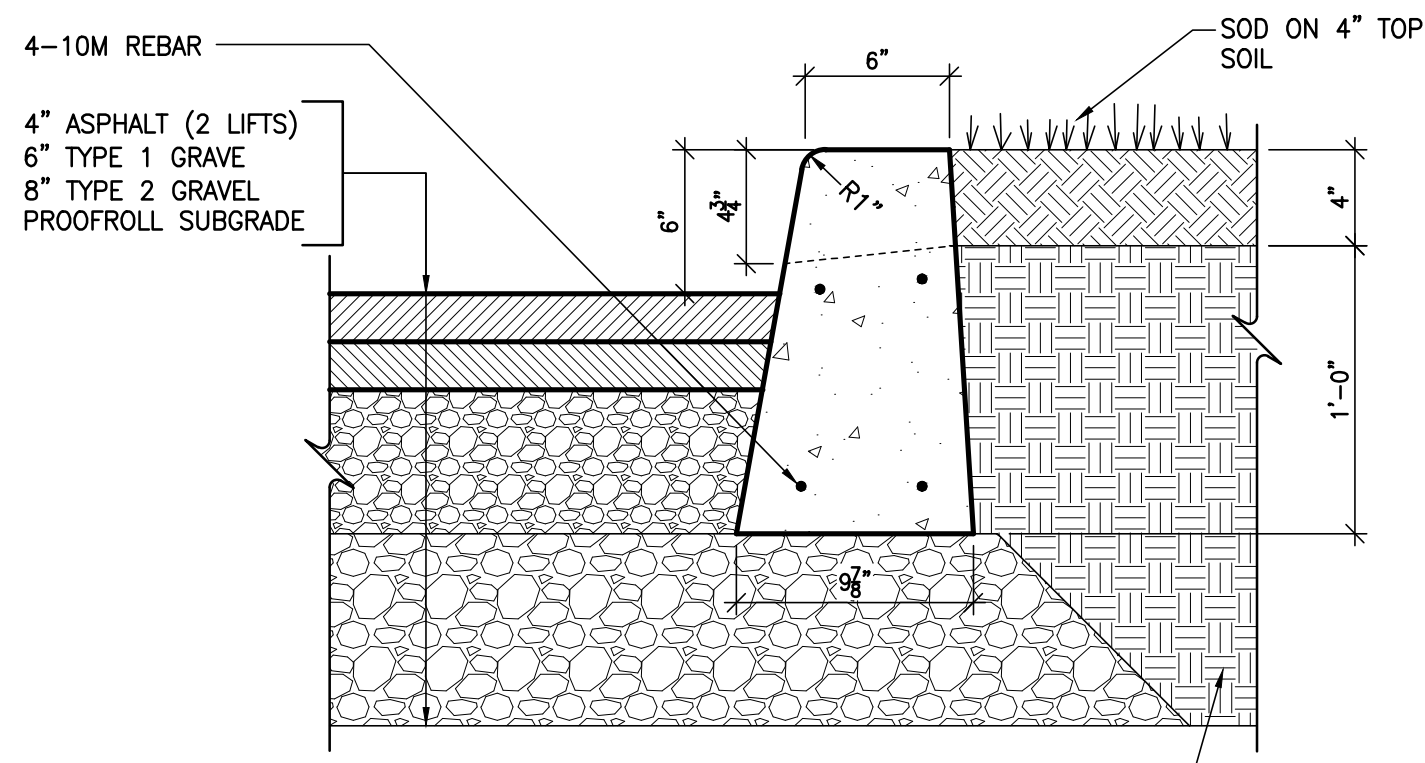
**1**  
C-1  
ASPHALT CONCRETE CURB (MED. DUTY)  
(NSTIR HS402)  
SCALE: 1-1/2" = 1'-0"



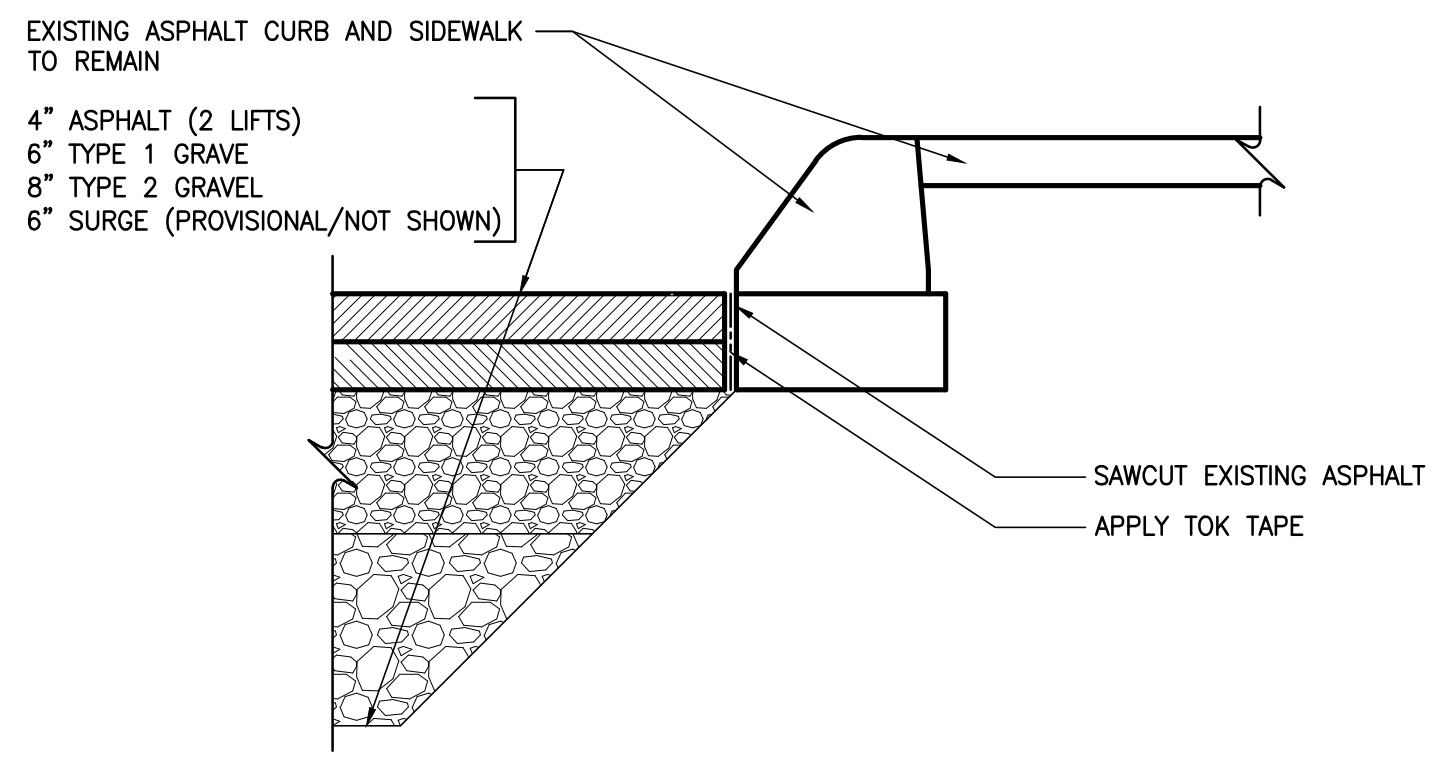
**5**  
C-1  
TRANSITION - SOD TO NEW GRAVELS  
SCALE: 1-1/2" = 1'-0"



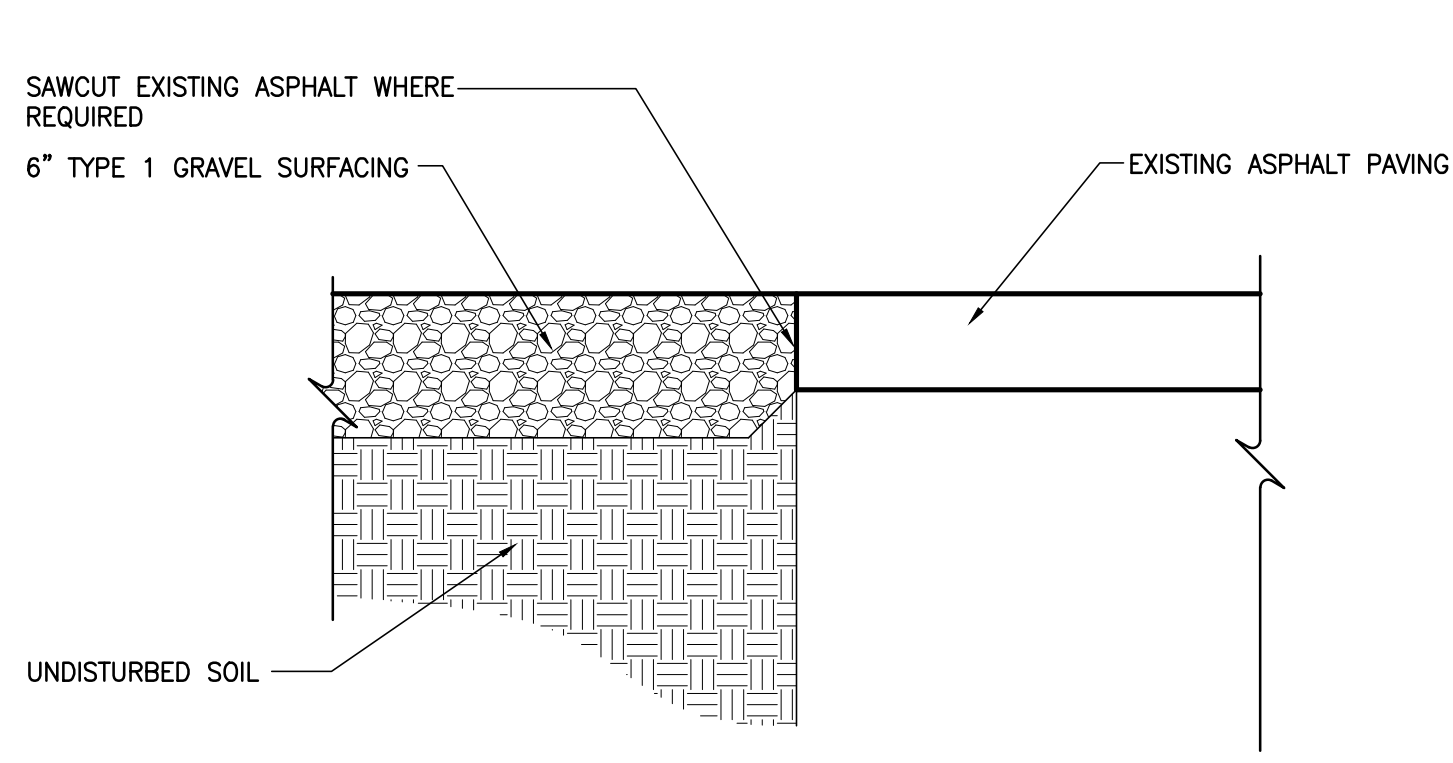
**9**  
C-1  
TRANSITION - NEW GRAVELS TO ASPHALT  
SCALE: 1-1/2" = 1'-0"



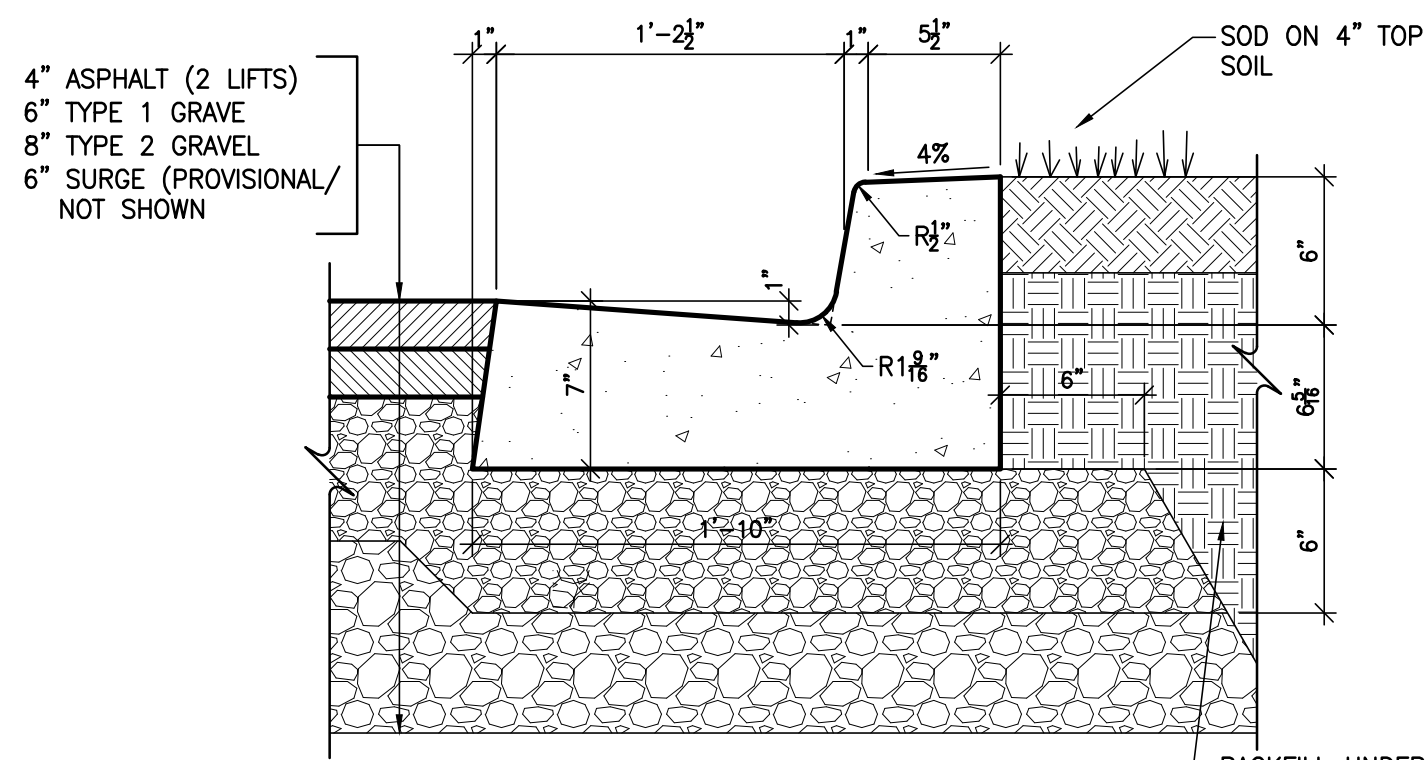
**2**  
C-1  
STRAIGHT BACK CONCRETE CURB  
(NSTIR HS-505 TYPE E)  
SCALE: 1-1/2" = 1'-0"



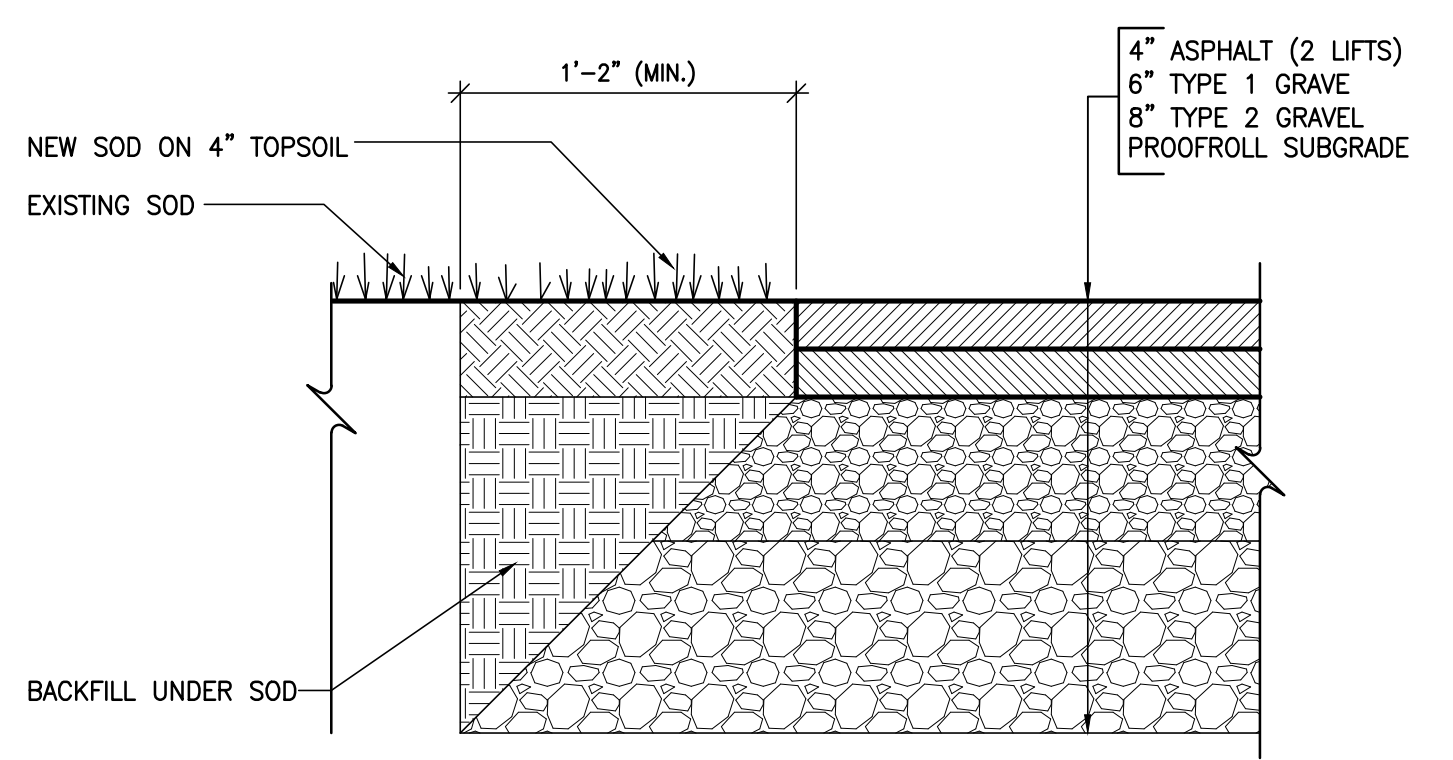
**6**  
C-1  
NEW ASPHALT AT EXISTING CURB  
SCALE: 1-1/2" = 1'-0"



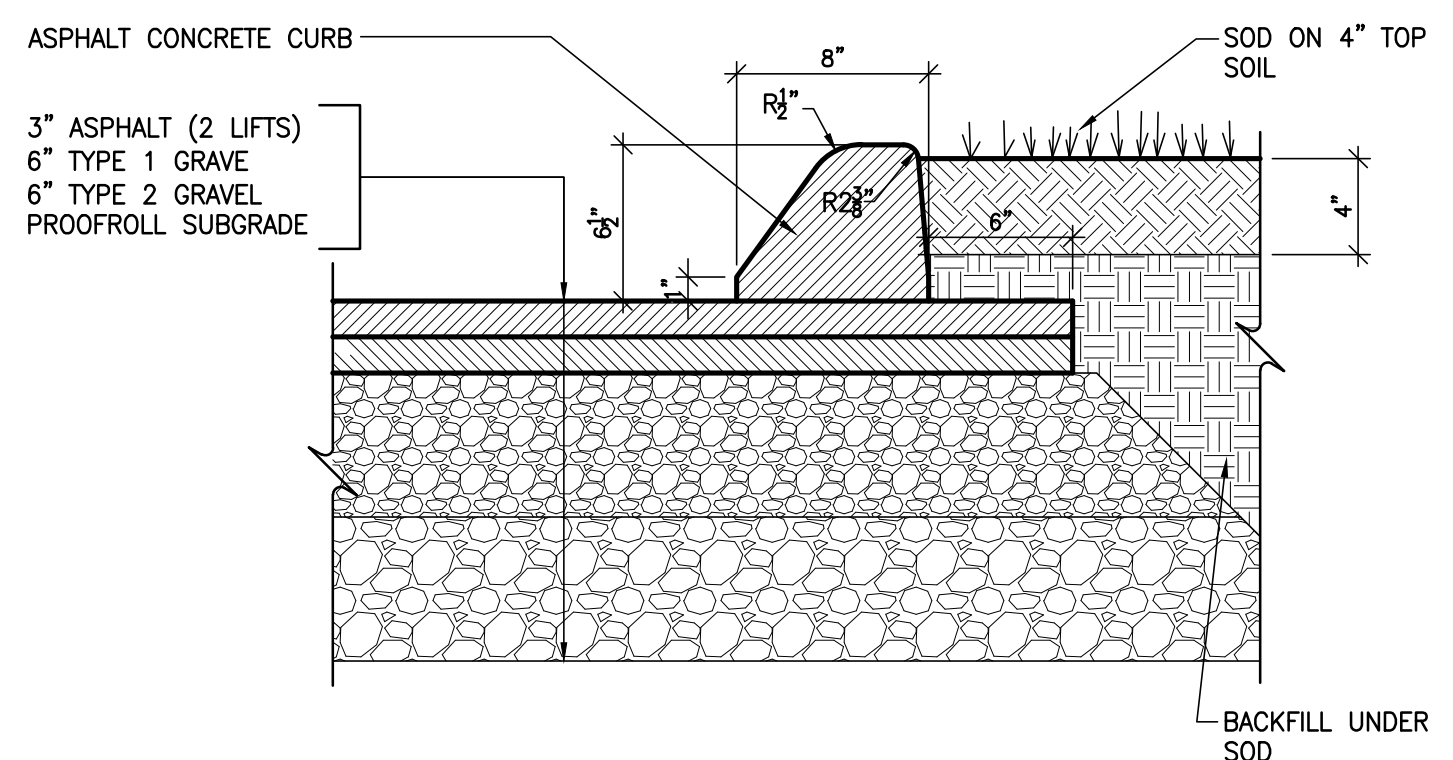
**10**  
C-1  
TRANSITION - NEW GRAVELS TO EXST. ASPHALT  
SCALE: 1-1/2" = 1'-0"



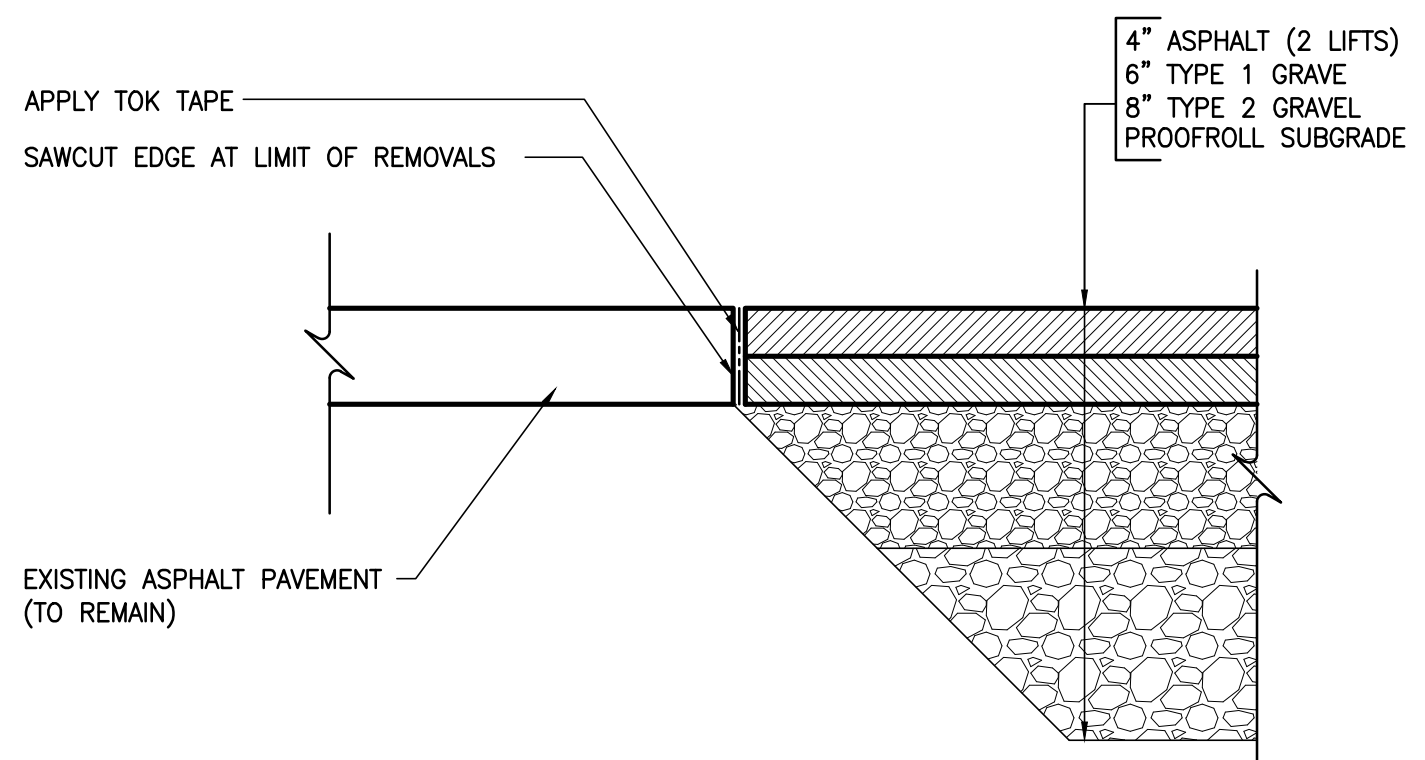
**3**  
C-1  
CURB AND GUTTER  
(STANDARD HRM DETAIL)  
SCALE: 1-1/2" = 1'-0"



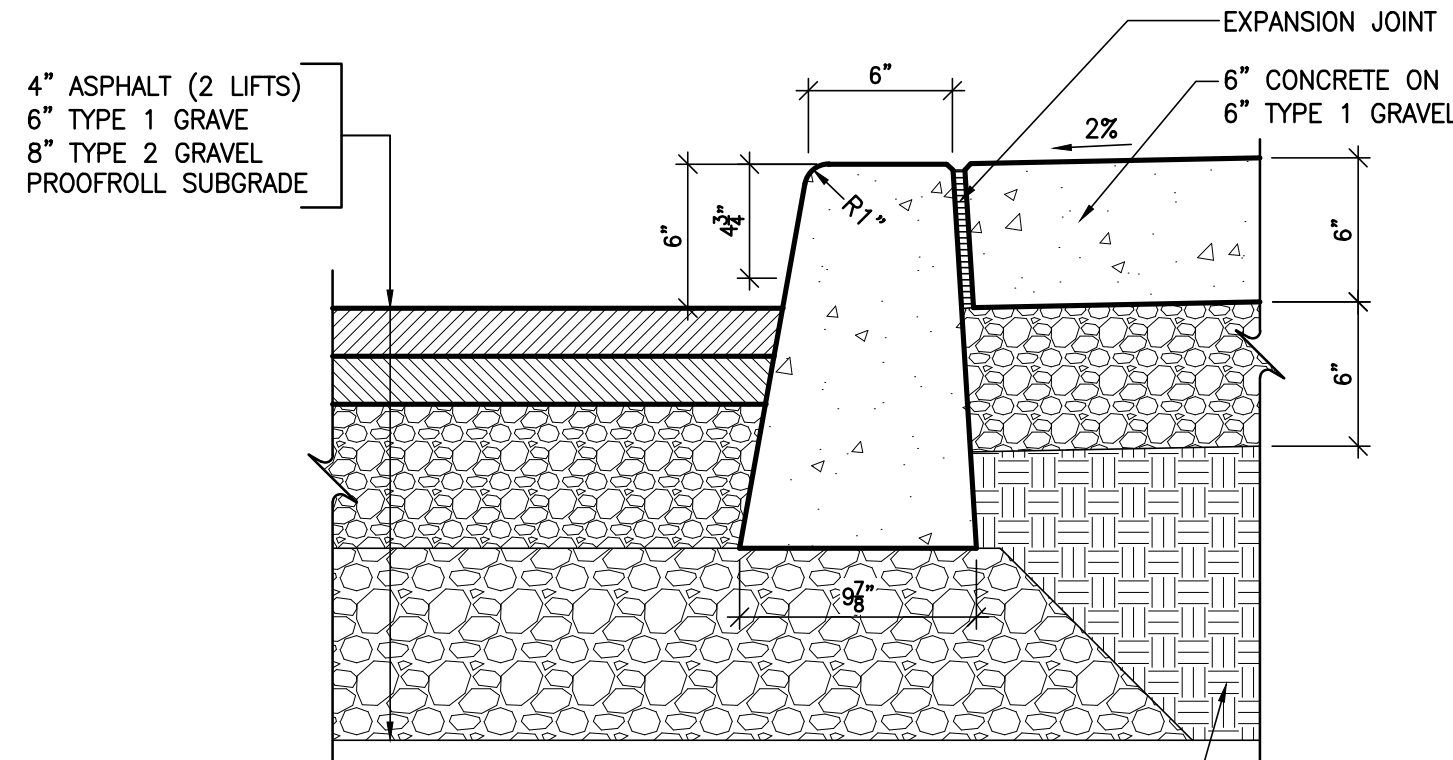
**7**  
C-1  
TRANSITION - SOD TO NEW ASPHALT  
SCALE: 1-1/2" = 1'-0"



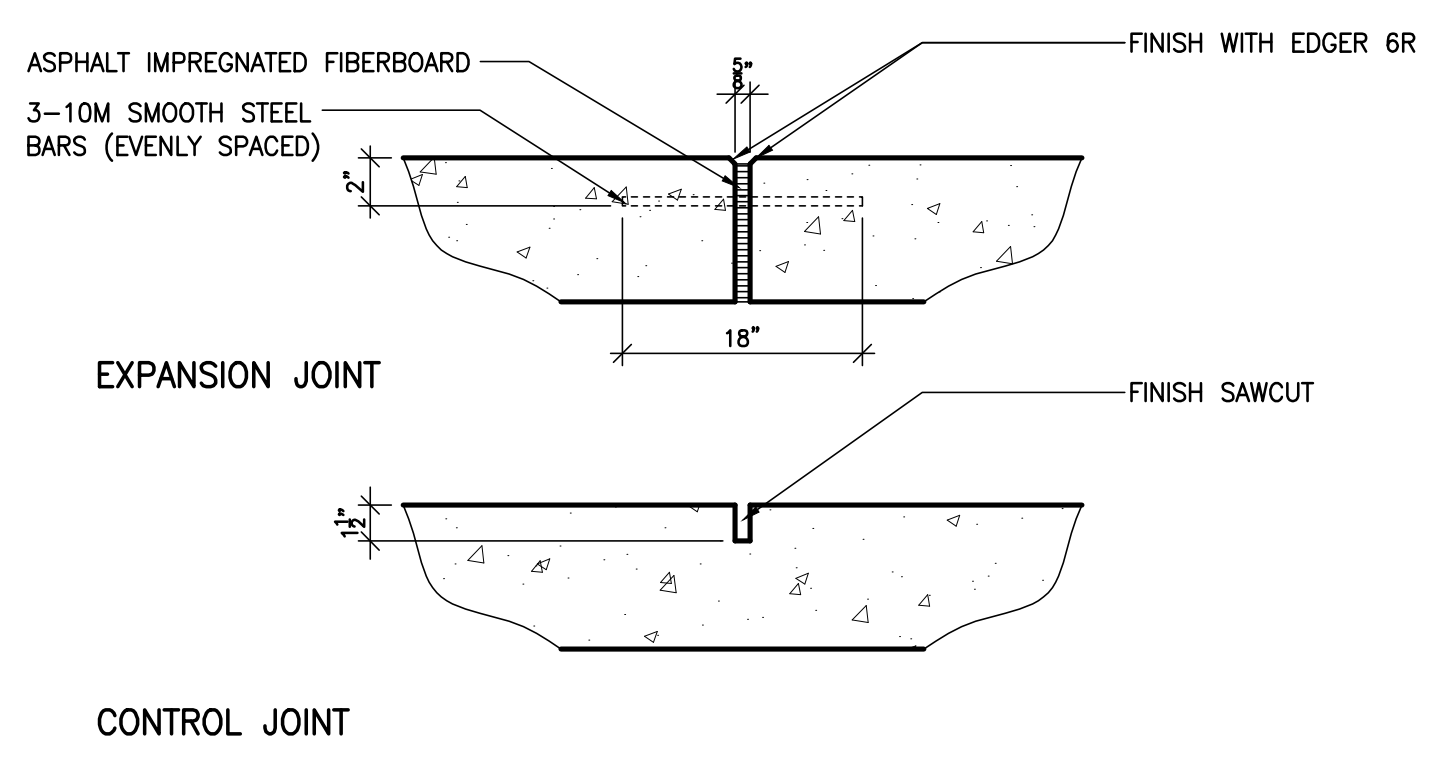
**11**  
C-1  
ASPHALT CONCRETE CURB (LIGHT DUTY)  
(NSTIR HS402)  
SCALE: 1-1/2" = 1'-0"



**4**  
C-1  
JOINT BETWEEN EXISTING AND NEW ASPHALT  
SCALE: 1-1/2" = 1'-0"



**8**  
C-1  
STRAIGHT BACK CONCRETE CURB  
WITH SIDEWALK  
SCALE: 1-1/2" = 1'-0"



**12**  
C-1  
TYPICAL CONCRETE SIDEWALK JOINTS  
SCALE: 1-1/2" = 1'-0"